

Health and Social Care Information Centre

NHS Data Model and Dictionary Service

Type: Data Dictionary Change Notice
Reference: 1418
Version No: 1.0
Subject: Retirement of Standards
Effective Date: 1 April 2014
Reason for Change: Retirement of Data Standards
Publication Date: 27 February 2014

Background:

The Information Standards Board for Health and Social Care (ISB) has conducted a review of all Data Set Change Notices (DSCNs) and Information Standards Notices (ISNs) issued since 1987, to update its portfolio of standards prior to the handover of responsibility to NHS England, the Health and Social Care Information Centre (HSCIC) and Public Health England. The full list can be found on the ISB [Advanced Notification - Withdrawal](#) issued 26/09/13.

This review has identified a number of items in the NHS Data Model and Dictionary which do not have a Data Set Change Notice or Information Standards Notice and are not used within a data set in the NHS Data Model and Dictionary.

This Data Dictionary Change Notice (DDCN) retires items in the NHS Data Model and Dictionary which fit into this category.

To view a demonstration on "How to Read an NHS Data Model and Dictionary Change Request", visit the NHS Data Model and Dictionary help pages at: http://www.datadictionary.nhs.uk/Flash_Files/changerequest.htm.

Note: if the web page does not open, please copy the link and paste into the web browser.

Summary of changes:

Diagrams

ACTIVITY DIAGRAM	Changed Diagram
CARE PROFESSIONAL DIAGRAM	Changed Diagram
CHILD AND ADOLESCENT MENTAL HEALTH SERVICES SECONDARY USES DIAGRAM	Changed Diagram
CHILDREN AND YOUNG PEOPLE'S HEALTH SERVICE SECONDARY USES DIAGRAM	Changed Diagram
COMMUNITY DIAGRAM	Changed Diagram
DIAGNOSTIC IMAGING DIAGRAM	Changed Diagram
IMPROVING ACCESS TO PSYCHOLOGICAL THERAPIES DIAGRAM	Changed Diagram
LISTS DIAGRAM	Changed Diagram
MATERNITY SERVICES SECONDARY USES DIAGRAM	Changed Diagram
PATIENT PATHWAY DIAGRAM	Changed Diagram
PRESCRIBING AND DISPENSING DIAGRAM	Changed Diagram
REFERRAL REQUEST DIAGRAM	Changed Diagram
SYSTEMIC ANTI-CANCER THERAPY DIAGRAM	Changed Diagram

Supporting Information

CONSULTANT CLINIC SESSION	Changed Description
DRUG MISUSE AGENCY	Changed Description
DRUG MISUSE EPISODE	Changed Description
DRUG MISUSE FACILITY (RETIRED) renamed from DRUG MISUSE FACILITY	Changed Description, status to Retired, Name

DRUG MISUSER	Changed Description
FRACTION	Changed Description
Class Definitions	
ANAESTHETIC OR ANALGESIC	Changed Attributes
APPOINTMENT OFFER	Changed Attributes
CARE CONTACT	Changed Attributes
CARE PROFESSIONAL ROLE	Changed Attributes
CLINICAL INTERVENTION	Changed Attributes
DIAGNOSTIC TEST REQUEST	Changed Attributes
ORGANISATION	Changed Attributes
ORGANISATION ACTIVITY ROLE (RETIRED) renamed from ORGANISATION ACTIVITY ROLE	Changed Description, Attributes, status to Retired, Name, Relationships
ORGANISATION REGISTRATION USER (RETIRED) renamed from ORGANISATION REGISTRATION USER	Changed Description, Attributes, status to Retired, Name, Relationships
ORGANISATION SITE	Changed Attributes
PATIENT	Changed Attributes
PERSON IN PROGRAMME	Changed Attributes
PLANNED ACTIVITY	Changed Attributes
PRESCRIPTION	Changed Description
PRESCRIPTION FOR MEDICINES AND DEVICES AND BLOOD PRODUCTS (RETIRED) renamed from PRESCRIPTION FOR MEDICINES AND DEVICES AND BLOOD PRODUCTS	Changed Description, status to Retired, Name
REFERRAL DELAY	Changed Attributes
REFERRAL REQUEST	Changed Attributes
REGISTER	Changed Attributes
SERVICE REPORT	Changed Attributes
SESSION	Changed Attributes
SUBSTANCE MISUSED	Changed Attributes
Attribute Definitions	
APPROVED FOR HSPS (RETIRED) renamed from APPROVED FOR HSPS	Changed Description, status to Retired, Name
DRUG DURATION (RETIRED) renamed from DRUG DURATION	Changed Description, status to Retired, Name
DRUG MISUSE DATABASE DRUG CODE (RETIRED) renamed from DRUG MISUSE DATABASE DRUG CODE	Changed Description, status to Retired, Name
DRUG MISUSE DATABASE NUMBER (RETIRED) renamed from DRUG MISUSE DATABASE NUMBER	Changed Description, status to Retired, Name
DRUG MISUSER INJECTED EVER (RETIRED) renamed from DRUG MISUSER INJECTED EVER	Changed Description, status to Retired, Name
DRUG MISUSER SHARED NEEDLE EVER (RETIRED) renamed from DRUG MISUSER SHARED NEEDLE EVER	Changed Description, status to Retired, Name
HELD OR CANCELLED (RETIRED) renamed from HELD OR CANCELLED	Changed Description, status to Retired, Name
HOME TYPE (RETIRED) renamed from HOME TYPE	Changed Description, status to Retired, Name
INJECTED IN LAST 4 WEEKS (RETIRED) renamed from INJECTED IN LAST 4 WEEKS	Changed Description, status to Retired, Name
MATERNITY VISIT CALL REASON (RETIRED) renamed from MATERNITY VISIT CALL REASON	Changed Description, status to Retired, Name
NATURE OF RISK AREA CODE (RETIRED) renamed from NATURE OF RISK AREA CODE	Changed Description, status to Retired, Name
ORGANISATION ACTIVITY ROLE CODE (RETIRED) renamed from ORGANISATION ACTIVITY ROLE CODE	Changed Description, status to Retired, Name
ORGANISATION COMMENT (RETIRED) renamed from ORGANISATION COMMENT	Changed Description, status to Retired, Name
ORGANISATION END DATE (RETIRED) renamed from ORGANISATION END DATE	Changed Description, status to Retired, Name

<u>ORGANISATION SITE END DATE (RETIRED)</u> renamed from <u>ORGANISATION SITE END DATE</u>	Changed Description, status to Retired, Name
<u>ORGANISATION START DATE (RETIRED)</u> renamed from <u>ORGANISATION START DATE</u>	Changed Description, status to Retired, Name
<u>ORIGIN (RETIRED)</u> renamed from <u>ORIGIN</u>	Changed Description, status to Retired, Name
<u>RADIOLOGY INVESTIGATION PLAN IDENTIFIER (RETIRED)</u> renamed from <u>RADIOLOGY INVESTIGATION PLAN IDENTIFIER</u>	Changed Description, status to Retired, Name
<u>RADIOLOGY SERVICE REPORT URGENCY (RETIRED)</u> renamed from <u>RADIOLOGY SERVICE REPORT URGENCY</u>	Changed Description, status to Retired, Name
<u>REASON ADMINISTERED (RETIRED)</u> renamed from <u>REASON ADMINISTERED</u>	Changed Description, status to Retired, Name
<u>REASON FOR NO START OR COMPLETION (RETIRED)</u> renamed from <u>REASON FOR NO START OR COMPLETION</u>	Changed Description, status to Retired, Name
<u>REFERRAL DELAY NUMBER (RETIRED)</u> renamed from <u>REFERRAL DELAY NUMBER</u>	Changed Description, status to Retired, Name
<u>REFERRAL DELAY TYPE (RETIRED)</u> renamed from <u>REFERRAL DELAY TYPE</u>	Changed Description, status to Retired, Name
<u>REGISTER REGISTRATION TYPE CODE (RETIRED)</u> renamed from <u>REGISTER REGISTRATION TYPE CODE</u>	Changed Description, status to Retired, Name
<u>REQUEST OR INVITATION (RETIRED)</u> renamed from <u>REQUEST OR INVITATION</u>	Changed Description, status to Retired, Name
<u>REQUIRED OUTSIDE NORMAL WORKING HOURS (RETIRED)</u> renamed from <u>REQUIRED OUTSIDE NORMAL WORKING HOURS</u>	Changed Description, status to Retired, Name
<u>ROLE END DATE (RETIRED)</u> renamed from <u>ROLE END DATE</u>	Changed Description, status to Retired, Name
<u>ROLE START DATE (RETIRED)</u> renamed from <u>ROLE START DATE</u>	Changed Description, status to Retired, Name
<u>ROUTINE OR EMERGENCY (RETIRED)</u> renamed from <u>ROUTINE OR EMERGENCY</u>	Changed Description, status to Retired, Name
<u>SHARED NEEDLE OR SYRINGE IN LAST 4 WEEKS (RETIRED)</u> renamed from <u>SHARED NEEDLE OR SYRINGE IN LAST 4 WEEKS</u>	Changed Description, status to Retired, Name
<u>SUBSTANCE MISUSED DRUG PRESCRIBED (RETIRED)</u> renamed from <u>SUBSTANCE MISUSED DRUG PRESCRIBED</u>	Changed Description, status to Retired, Name
<u>SUBSTANCE MISUSED FREQUENCY OF USE (RETIRED)</u> renamed from <u>SUBSTANCE MISUSED FREQUENCY OF USE</u>	Changed Description, status to Retired, Name

Data Elements

<u>CODE OF GP PRACTICE (REFERRING PRACTICE) (RETIRED)</u> renamed from <u>CODE OF GP PRACTICE (REFERRING PRACTICE)</u>	Changed linked Attribute, Description, status to Retired, Name
<u>PATIENT DIAGNOSIS ON PSYCHIATRIC CENSUS DATE (RETIRED)</u> renamed from <u>PATIENT DIAGNOSIS ON PSYCHIATRIC CENSUS DATE</u>	Changed Description, status to Retired, Name

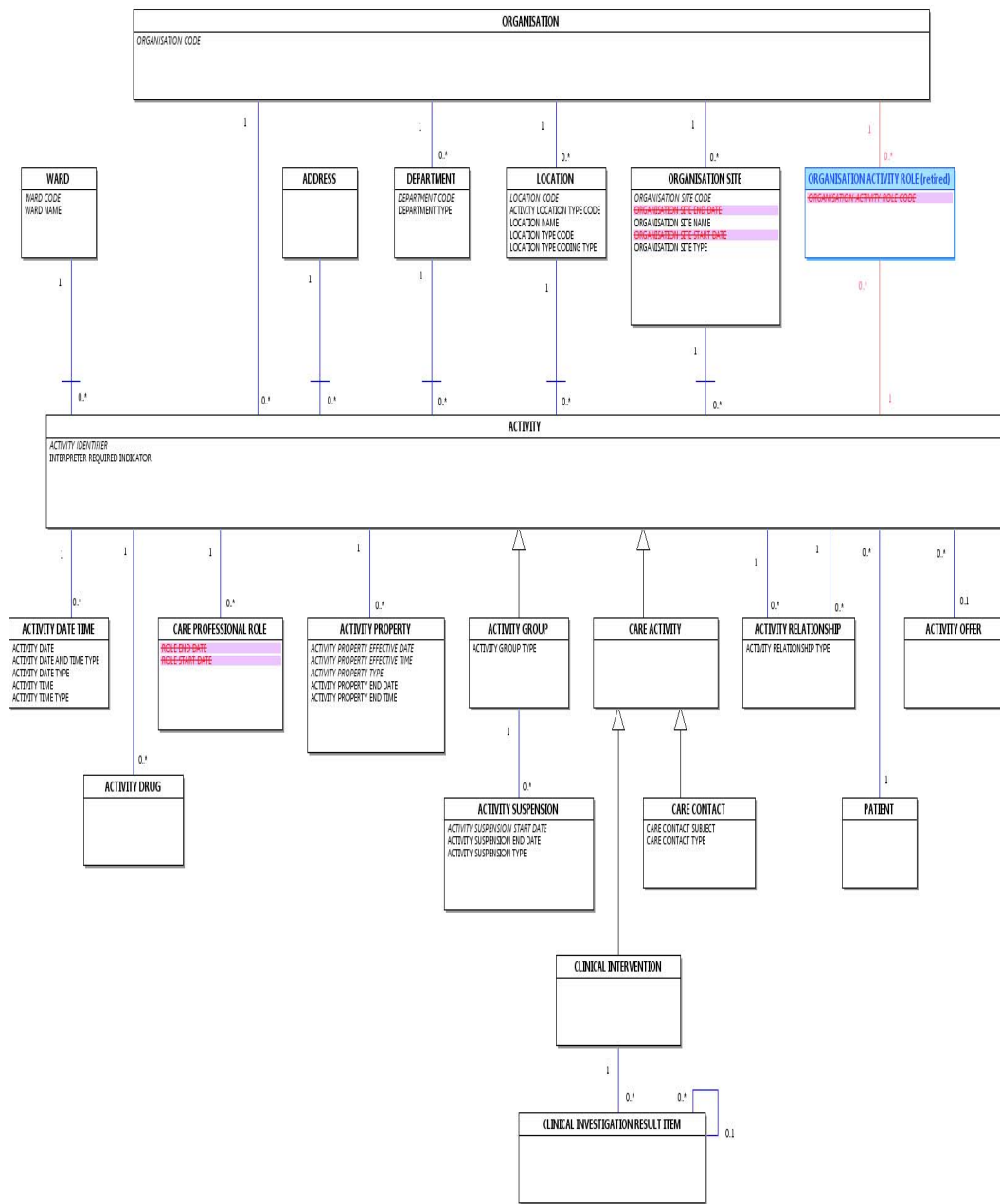
Date: 27 February 2014

Sponsor: Dr K. Lunn, Director of Information Standards Delivery. Health and Social Care Information Centre

Note: New text is shown with a blue background. Deleted text is crossed out. Retired text is shown in grey. Within the Diagrams deleted classes and relationships are red, changed items are blue and new items are green.

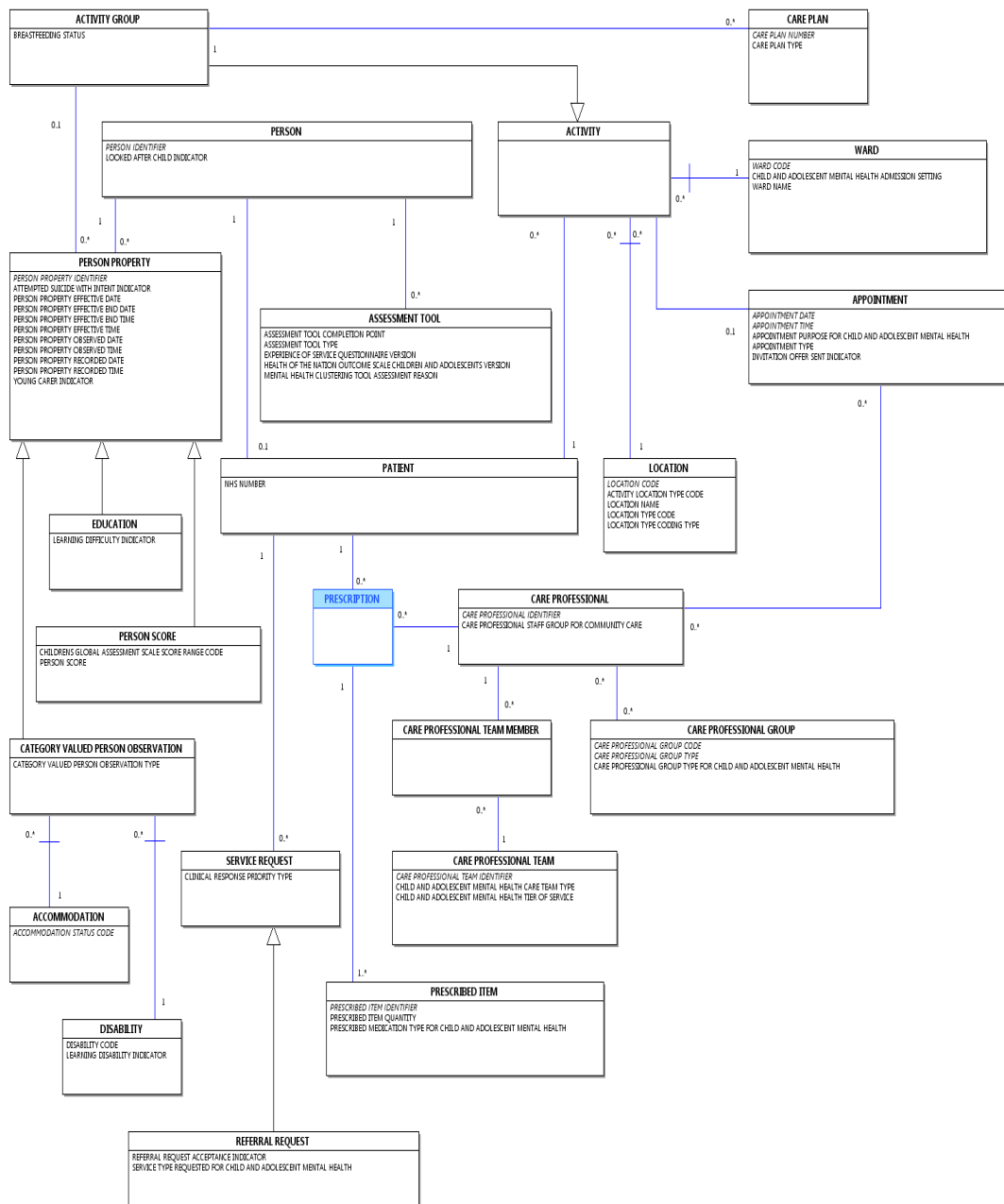
ACTIVITY DIAGRAM

Change to Diagram: Changed Diagram



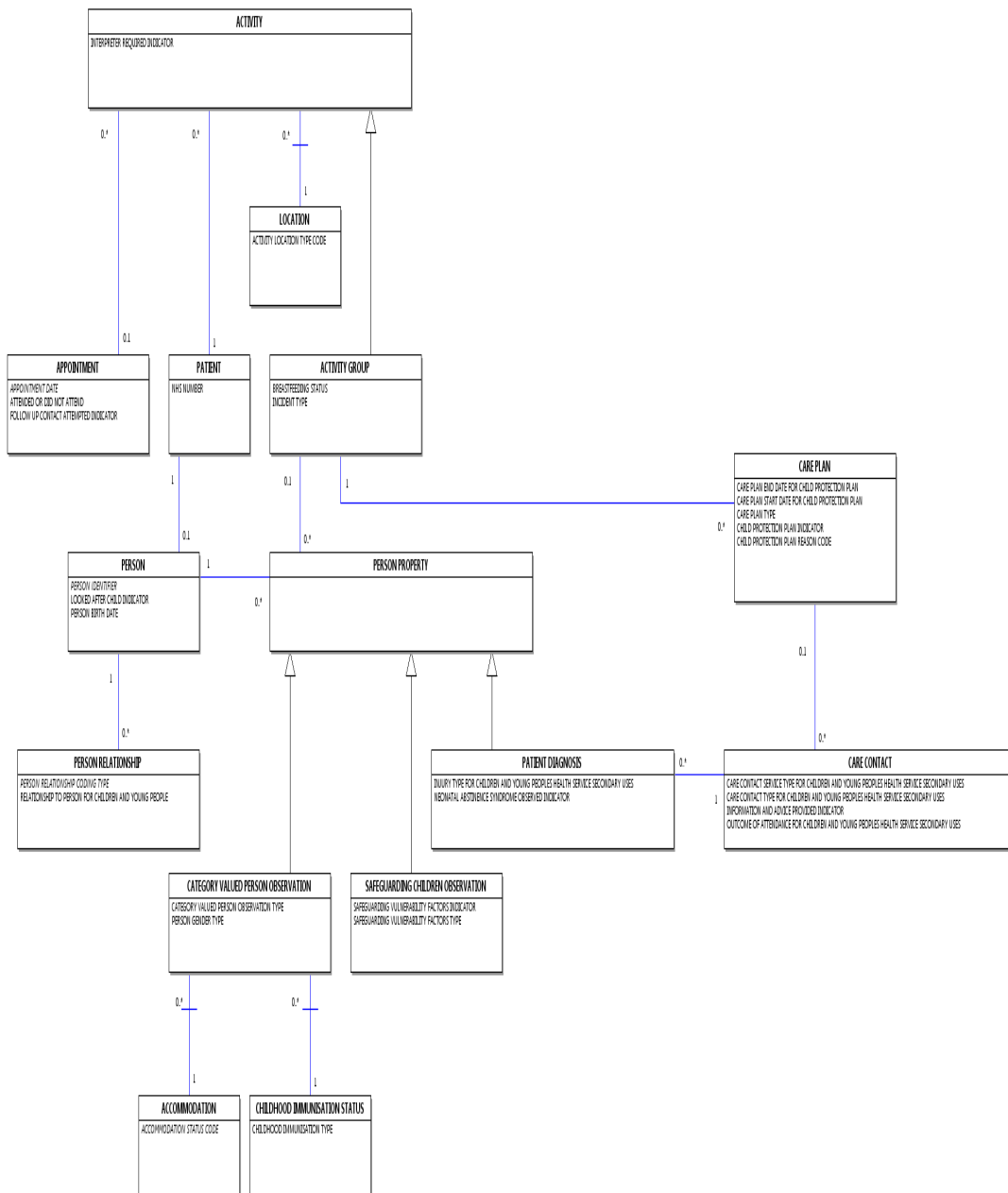
CHILD AND ADOLESCENT MENTAL HEALTH SERVICES SECONDARY USES DIAGRAM

Change to Diagram: Changed Diagram



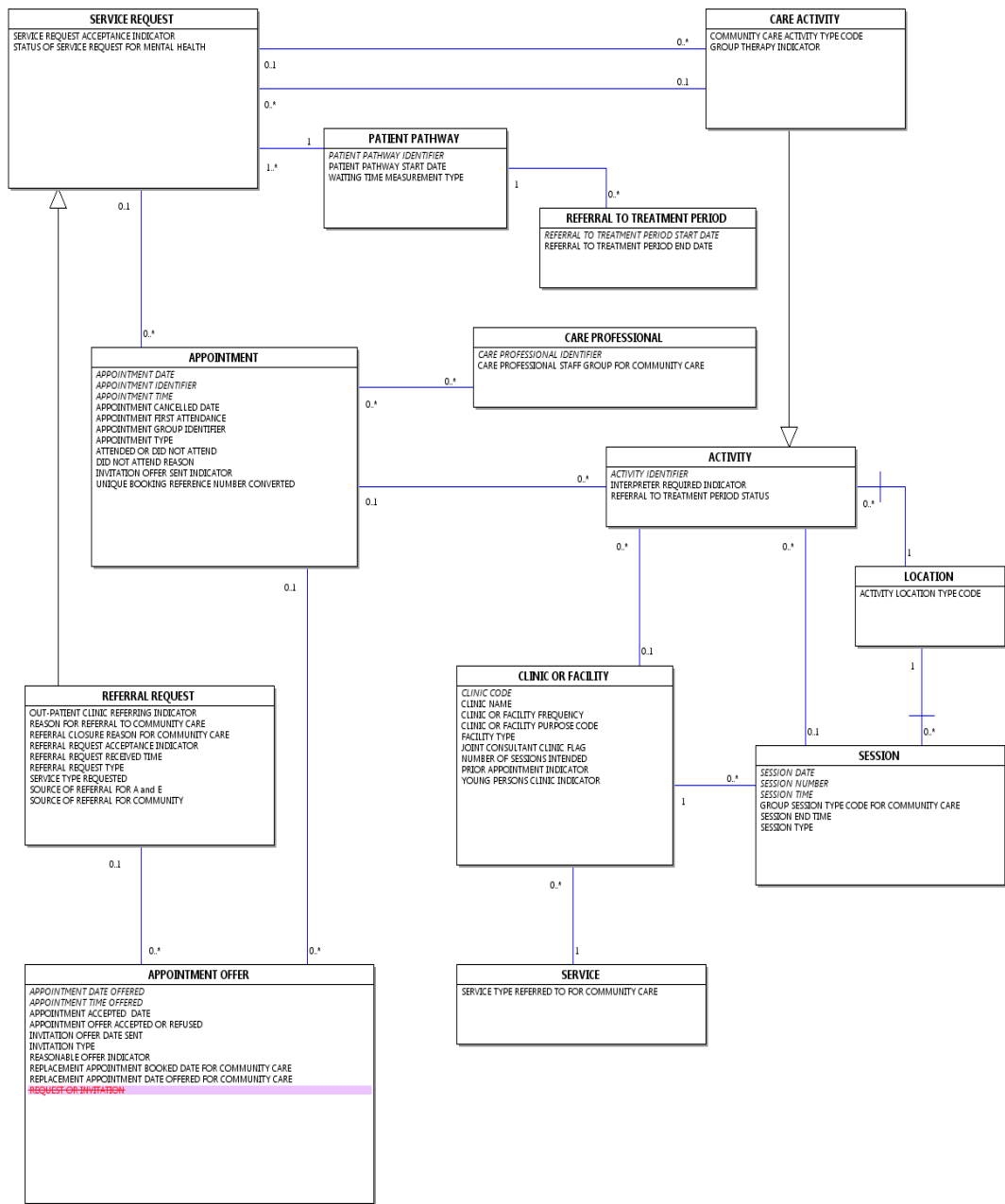
CHILDREN AND YOUNG PEOPLE'S HEALTH SERVICE SECONDARY USES DIAGRAM

Change to Diagram: Changed Diagram



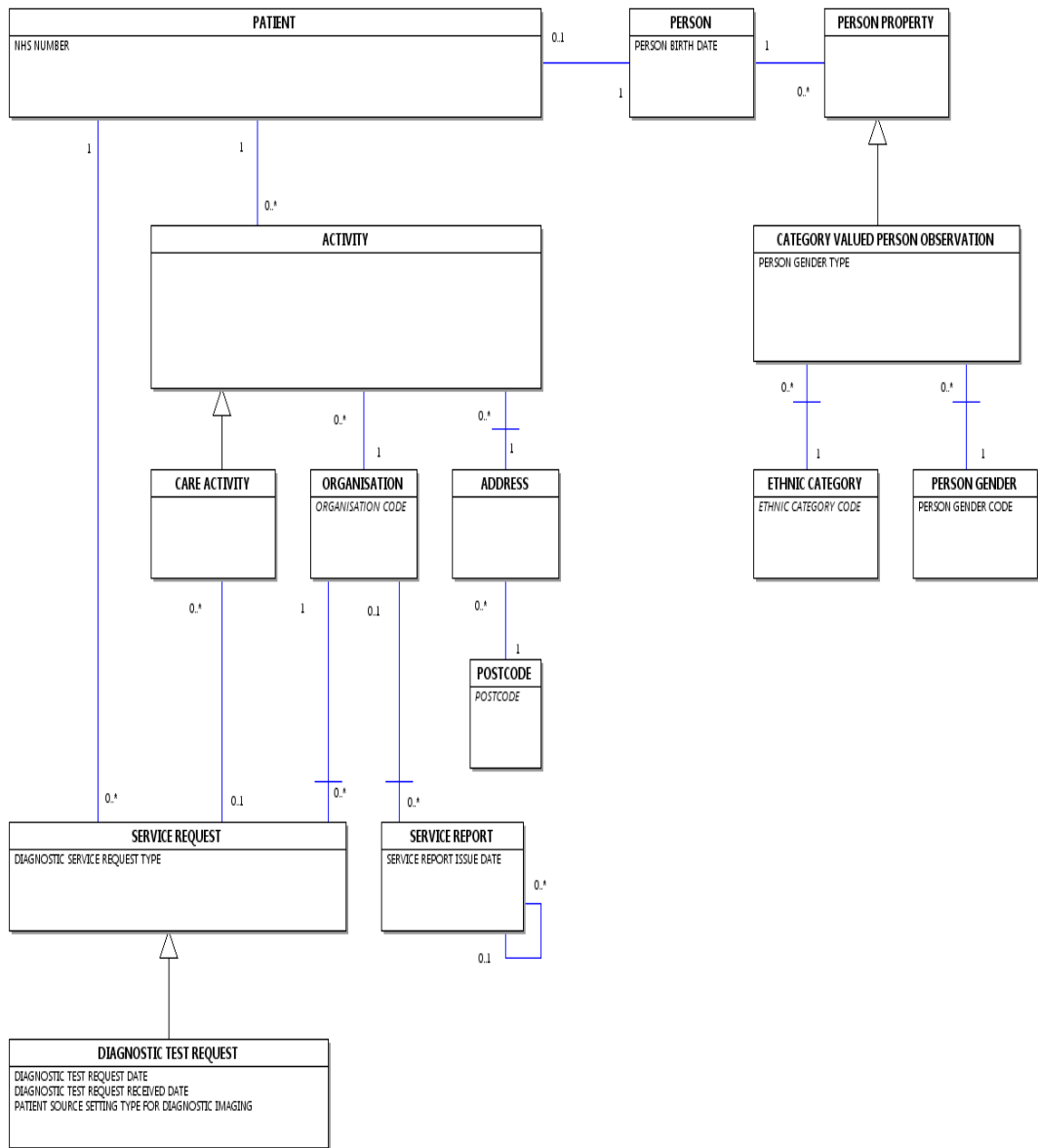
COMMUNITY DIAGRAM

Change to Diagram: Changed Diagram



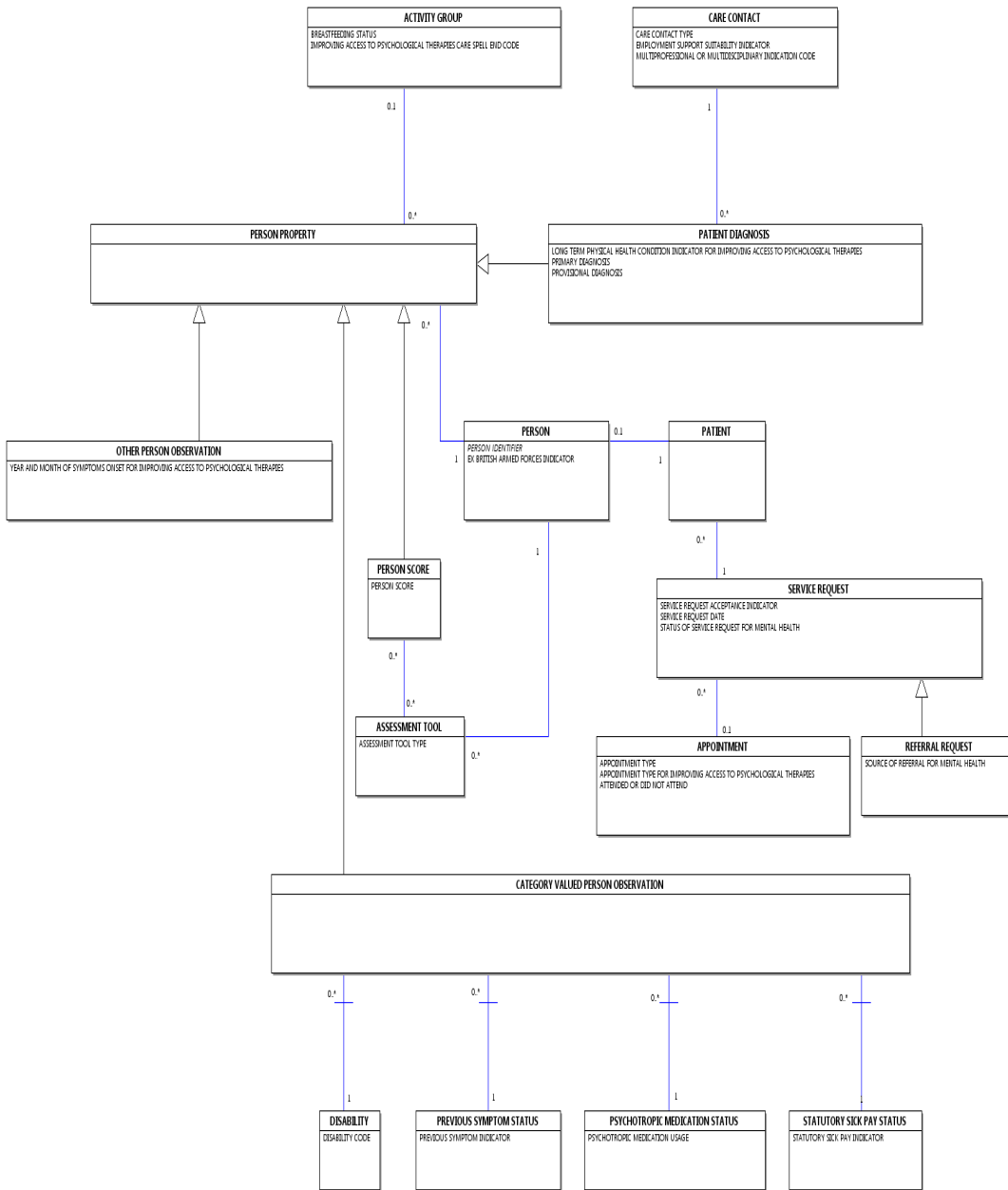
DIAGNOSTIC IMAGING DIAGRAM

Change to Diagram: Changed Diagram



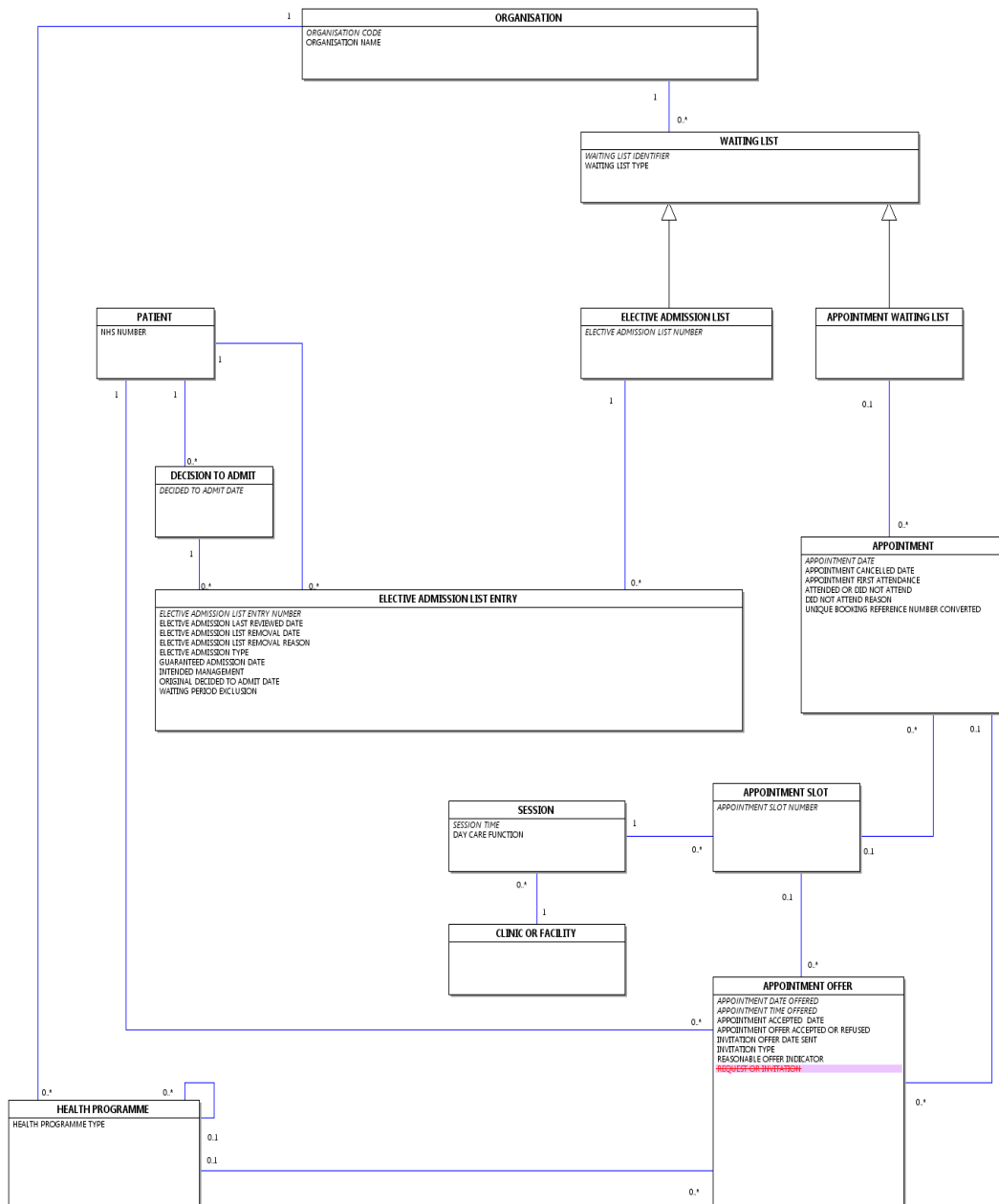
IMPROVING ACCESS TO PSYCHOLOGICAL THERAPIES DIAGRAM

Change to Diagram: Changed Diagram



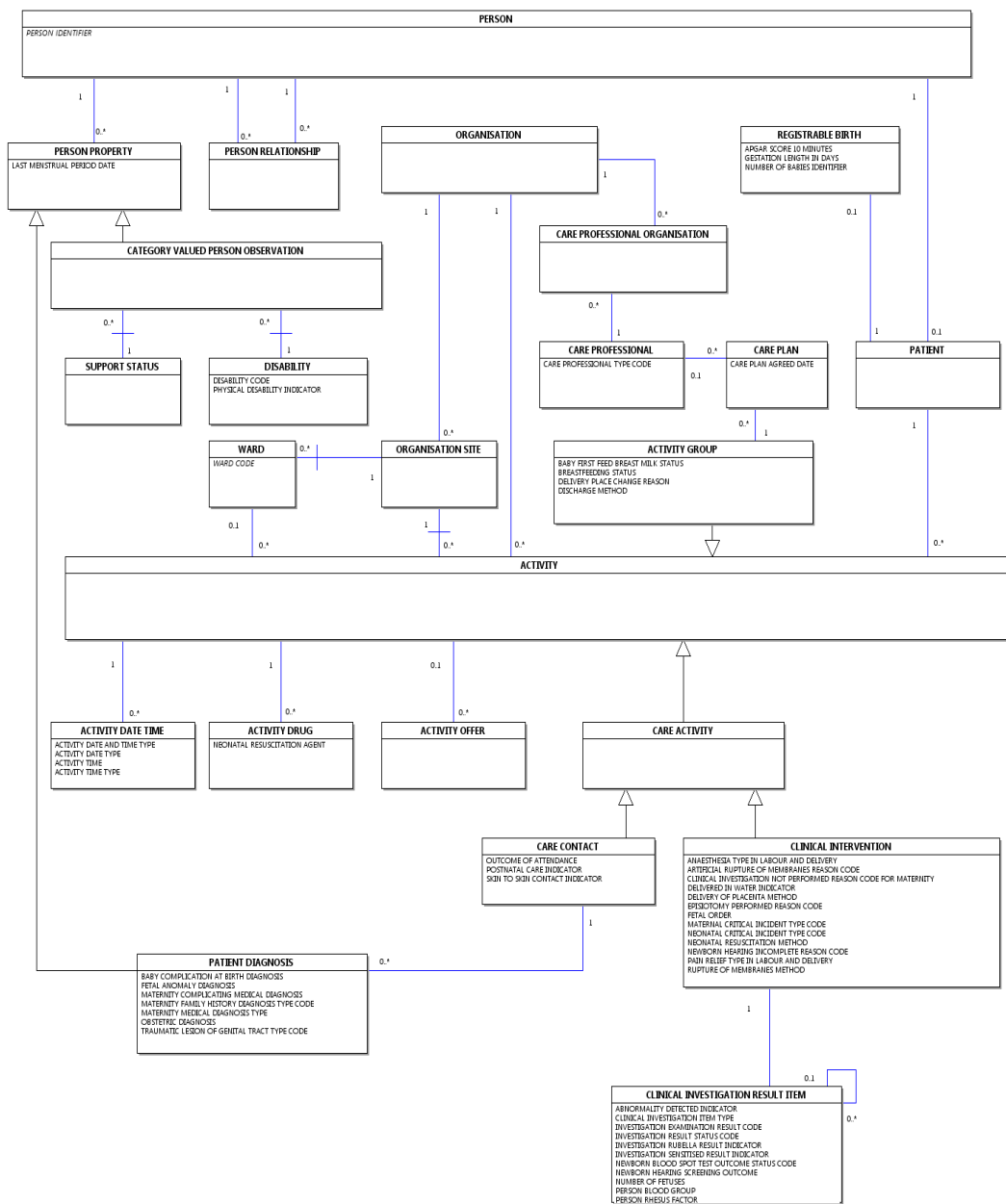
LISTS DIAGRAM

Change to Diagram: Changed Diagram



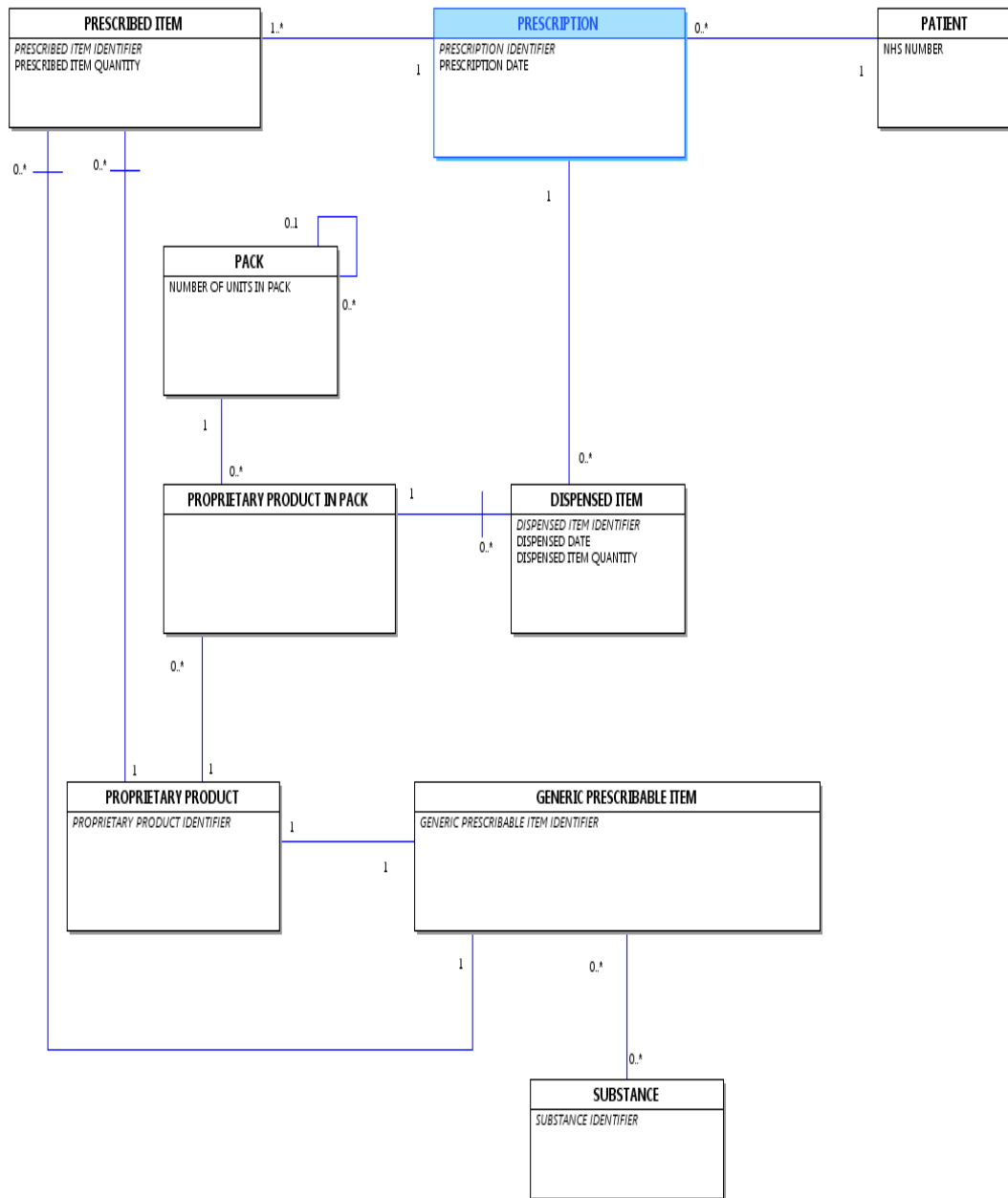
MATERNITY SERVICES SECONDARY USES DIAGRAM

Change to Diagram: Changed Diagram



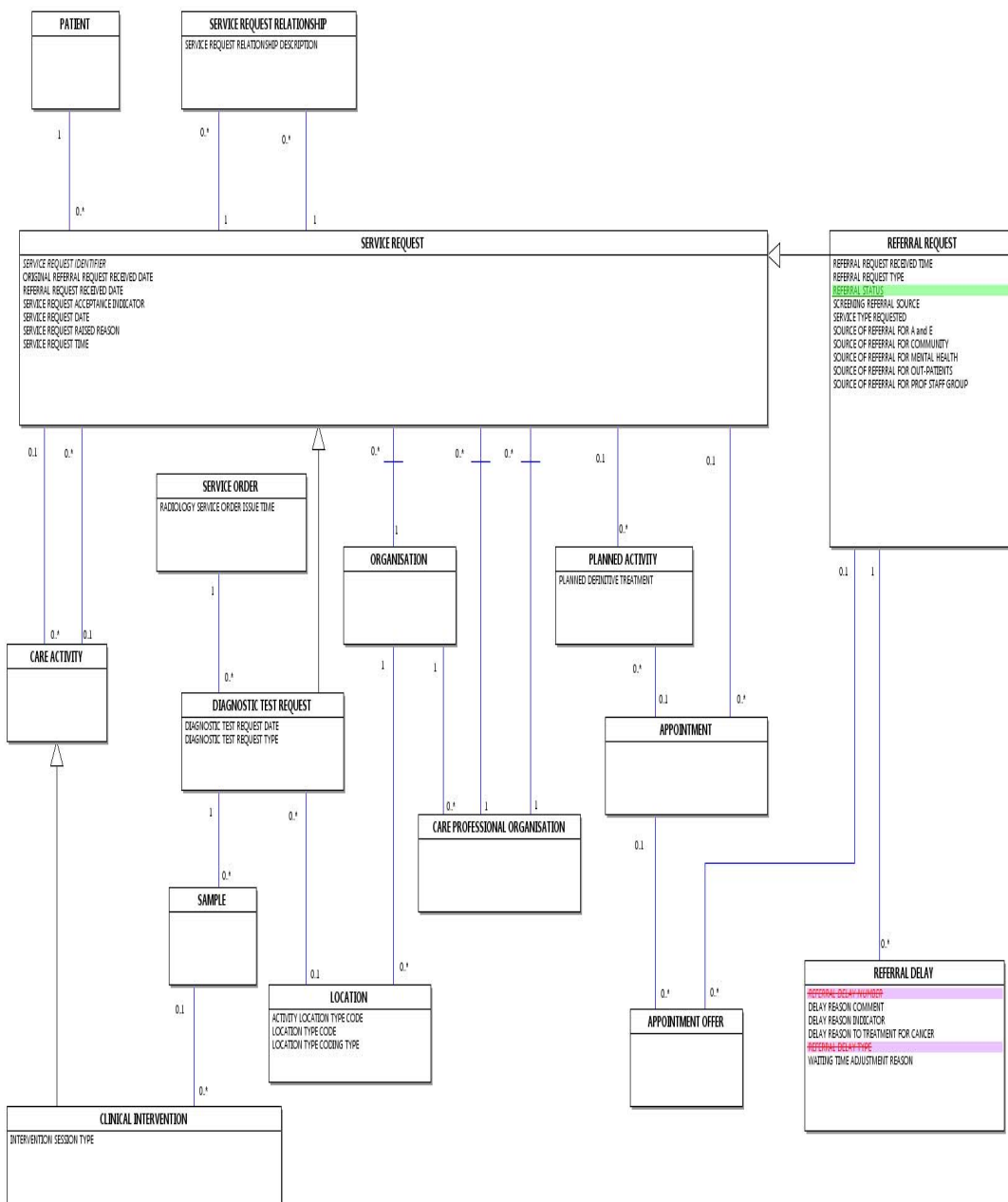
PRESCRIBING AND DISPENSING DIAGRAM

Change to Diagram: Changed Diagram



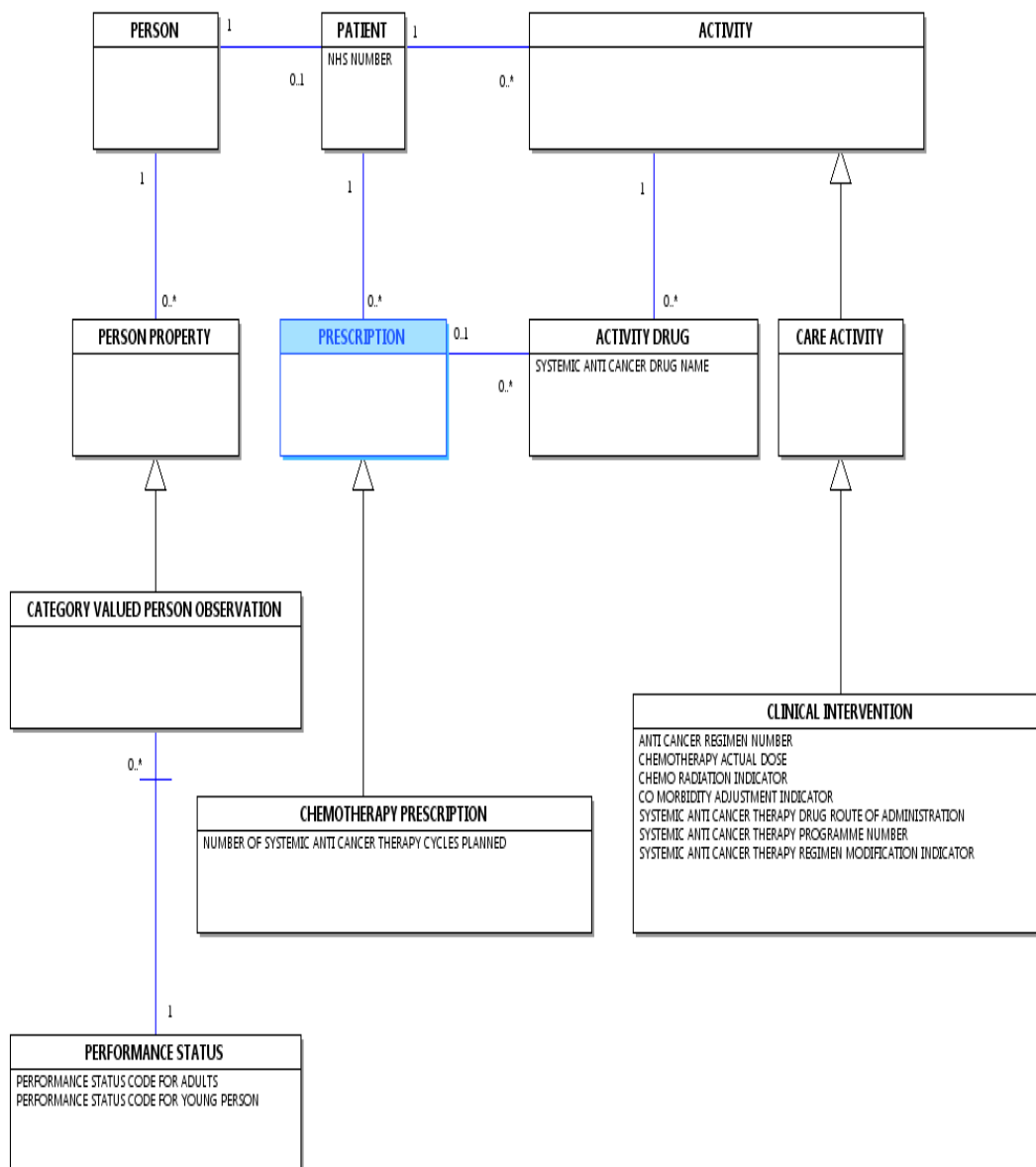
REFERRAL REQUEST DIAGRAM

Change to Diagram: Changed Diagram



SYSTEMIC ANTI-CANCER THERAPY DIAGRAM

Change to Diagram: Changed Diagram



CONSULTANT CLINIC SESSION

Change to Supporting Information: Changed Description

A [Consultant Clinic Session](#) is a [SESSION](#).

A [Consultant Clinic Session](#) is an individual occasion on which a [Consultant Clinic](#) is held or is intended to be held at a location. Each clinic is held on a number of occasions or sessions during a period of time. The maximum duration of a session is a notional half-day. The session may be held or cancelled. Each [Consultant Clinic Session](#) represents one unit of resource.

A [Consultant Clinic Session](#) is a clinic session held by a [CONSULTANT](#) and/or one or more members of that Consultant's firm forms a single [Consultant Clinic Session](#).

Notes:

A doctor must always be present and available to see the [PATIENT](#) and is probably one of the following:

- [CONSULTANT](#) in charge of the clinic;
- member of the [CONSULTANT](#) firm running the clinic;
- [GENERAL PRACTITIONER](#) or other doctor acting as a clinical assistant;
- locum acting for the [CONSULTANT](#);
- [GENERAL PRACTITIONER](#) running a clinic, such as a maternity clinic, by special arrangement with the [Health Care Provider](#).

Count attendances at a clinic as [Consultant Clinic](#) attendances if and only if the [PATIENT](#) actually sees a doctor. Otherwise record it as an attendance at a [Nurse Clinic](#) or a face to face contact with another health professional. For example, you can record multi-disciplinary clinics or group therapy sessions as [Consultant Clinics](#) if a doctor is present and sees [PATIENTS](#). Similarly, a [Sexual and Reproductive Health Clinic](#) can be a [Consultant Clinic](#) if a doctor is present and sees [PATIENTS](#), otherwise the [Sexual and Reproductive Health Clinic](#) is classed as a [Nurse Clinic](#).

During an attendance at an [Out-Patient Clinic](#), a [PATIENT](#) may see a doctor and also see a [NURSE](#) or other health professional at another clinic, for example, for dietary advice or counselling. If the [NURSE](#) or health professional have their own list of [PATIENTS](#), this attendance would need to be recorded separately as appropriate, e.g. a [Nurse Clinic](#) attendance.

~~Information recorded for a [Consultant Clinic Session](#) includes:~~

~~[SESSION DATE](#)
[SESSION TIME](#)
[HELD OR CANCELLED](#)~~

DRUG MISUSE AGENCY

Change to Supporting Information: Changed Description

~~[Drug Misuse Agency](#) is an [ORGANISATION](#). A [Drug Misuse Agency](#) is a [CLINIC OR FACILITY](#).~~

~~An [ORGANISATION](#) with [Drug Misuse Facilities](#) that provides a service to [Drug Misusers](#). It encompasses all [ORGANISATIONS](#) offering a [Drug Misuse Facility](#), both NHS and non-NHS located within the [Primary Care Trust](#) boundary. A [Drug Misuse Agency](#) is a [CLINIC OR FACILITY](#) of an [ORGANISATION](#) that provides a service to [Drug Misusers](#). It encompasses NHS and non_NHS facilities. An [ORGANISATION](#) may have more than one facility providing such services, each of which will be separately identified as a [Drug Misuse Agency](#).~~

~~Note: This does not correspond to an 'Agency' defined in the Drug Misuse Database which relates to a [Drug Misuse Facility](#). Note: A user of multiple [Drug Misuse Agencies](#) from one [ORGANISATION](#) may have multiple [Drug Misuse Episodes](#) but there should be only one per [Drug Misuse Agency](#) active at any one time.~~

DRUG MISUSE EPISODE

Change to Supporting Information: Changed Description

~~[Drug Misuse Episode](#) is an [ACTIVITY GROUP](#). A [Drug Misuse Episode](#) is an [ACTIVITY GROUP](#).~~

~~An episode of care provided to a [Drug Misuser](#). It begins when a [Drug Misuser](#) uses a [Drug Misuse Facility](#) for the first~~

time or returns after a period of at least six months. A user of multiple [Drug Misuse Facilities](#) from one [Drug Misuse Agency](#) will have multiple [Drug Misuse Episodes](#). A [Drug Misuse Episode](#) is an episode of care provided to a [Drug Misuser](#).

There may also be a [Community Episode](#) for the [PATIENT](#) concerning the substance misused if during the [Drug Misuse Episode](#) the [PATIENT](#) is in contact with a community psychiatric nurse.

Information recorded for a [Drug Misuse Episode](#) includes:

[EPISODE NUMBER](#)

[End Date](#) ⊖

[Start Date](#)

- The [Drug Misuse Episode](#) starts when a [Drug Misuser](#) is triaged by a [Drug Misuse Agency](#)
- The [Drug Misuse Episode](#) ends when a [Drug Misuser](#) is discharged from the [Drug Misuse Episode](#) or when the [Drug Misuser](#) has not been seen or received treatment for a default period of 2 months with the likelihood that the [Drug Misuser](#) will continue with the treatment.

DRUG MISUSE FACILITY (RETIRED)_ renamed from DRUG MISUSE FACILITY

Change to Supporting Information: Changed Description, status to Retired, Name

[Drug Misuse Facility](#) is a [CLINIC OR FACILITY](#). This item has been retired from the NHS Data Model and Dictionary.

A facility of one [FACILITY TYPE](#) from a [Drug Misuse Agency](#) that provides a service to [Drug Misusers](#). It encompasses NHS and non-NHS facilities. A user of multiple [Drug Misuse Facilities](#) from one [Drug Misuse Agency](#) will have multiple [Drug Misuse Episodes](#). The last live version of this item is available in the February 2014 release of the NHS Data Model and Dictionary.

Note: This corresponds to an 'Agency' defined for the Drug Misuse Database. Access to this version can be obtained by emailing information.standards@hscic.gov.uk with "NHS Data Model and Dictionary - Archive Request" in the email subject line.

DRUG MISUSE FACILITY (RETIRED)_ renamed from DRUG MISUSE FACILITY

Change to Supporting Information: Changed Description, status to Retired, Name

- Changed Description
- Retired Drug Misuse Facility
- Changed Name from `Data_Dictionary.NHS_Business_Definitions.D.Drug_Misuse_Facility` to `Retired.Data_Dictionary.NHS_Business_Definitions.D.Drug_Misuse_Facility`

DRUG MISUSER

Change to Supporting Information: Changed Description

A [Drug Misuser](#) is a [PATIENT](#) receiving advice or care from a [Drug Misuse Facility](#) of a [Drug Misuse Agency](#). A [Drug Misuser](#) is a [PERSON](#).

An individual receiving advice and/or care from a [Drug Misuse Agency](#). A [Drug Misuser](#) is a [PERSON](#) receiving advice or care from a [Drug Misuse Agency](#).

Note: An individual may receive care from more than one [Drug Misuse Agency](#), particularly over a period of time. However, [Drug Misuser](#) records will be created and maintained by each [Drug Misuse Agency](#) who will identify each record with a [DRUG MISUSE DATABASE NUMBER](#).

FRACTION

Change to Supporting Information: Changed Description

A [Fraction](#) is a [CLINICAL INTERVENTION](#).

A [Fraction](#) is a set of exposures delivered or intended to be delivered to a [PATIENT](#) in the course of one visit to a [Radiotherapy](#) room. The [HELD OR CANCELLED](#) indicator records those [Fractions](#) for which [APPOINTMENTS](#) have been made, but which did not take place.

Note: For technical reasons the [Radiotherapy MACHINE TYPE](#) actually used for each exposure may differ from that indicated when the [Fraction](#) was planned. Note: For technical reasons the [Radiotherapy MACHINE TYPE](#) actually used for each [EXPOSURE](#) may differ from that indicated when the [Fraction](#) was planned.

ANAESTHETIC OR ANALGESIC

Change to Class: Changed Attributes

Attributes of this Class are:

K ANAESTHETIC OR ANALGESIC CATEGORY
PERIOD ADMINISTERED
~~REASON ADMINISTERED~~

APPOINTMENT OFFER

Change to Class: Changed Attributes

Attributes of this Class are:

K APPOINTMENT DATE OFFERED
K APPOINTMENT TIME OFFERED
APPOINTMENT ACCEPTED DATE
APPOINTMENT OFFER ACCEPTED OR REFUSED
INVITATION OFFER DATE SENT
INVITATION TYPE
REASONABLE OFFER INDICATOR
REPLACEMENT APPOINTMENT BOOKED DATE FOR COMMUNITY CARE
REPLACEMENT APPOINTMENT DATE OFFERED FOR COMMUNITY CARE
~~REQUEST OR INVITATION~~

CARE CONTACT

Change to Class: Changed Attributes

Attributes of this Class are:

A and E ATTENDANCE CATEGORY
A and E INITIAL ASSESSMENT TRIAGE CATEGORY
A and E STREAM
ACCIDENT AND EMERGENCY ARRIVAL MODE

ACCIDENT AND EMERGENCY ATTENDANCE DISPOSAL
ACUTE HOME-BASED TELEPHONE CONTACT
ANTIRETROVIRAL THERAPY HOME DELIVERY INDICATOR
ANTIRETROVIRAL THERAPY REGIMEN GROUP CODE
BRIEF INTERVENTION PROVIDED INDICATOR
BRIEF INTERVENTION TYPE FOR NHS HEALTH CHECK
CARE CONTACT SERVICE TYPE FOR CHILDREN AND YOUNG PEOPLES HEALTH SERVICE SECONDARY USES
CARE CONTACT SUBJECT
CARE CONTACT TYPE
CARE CONTACT TYPE FOR CHILDREN AND YOUNG PEOPLES HEALTH SERVICE SECONDARY USES
CHILD DIFFICULT TO TEST REASON
CLINICAL NURSE SPECIALIST INDICATION CODE
CLINIC ATTENDANCE PURPOSE CODE FOR HIV
COLPOSCOPY PRIME PROCEDURE TYPE
CONSULTATION MEDIUM USED
CONTRACEPTIVE SERVICE TYPE
DECISION TO UNDERTAKE FURTHER ASSESSMENT INDICATOR
DIETARY ADVICE REASON CODE
EMPLOYMENT SUPPORT SUITABILITY INDICATOR
FIRST ANTIRETROVIRAL THERAPY IN THE UNITED KINGDOM INDICATOR
FIRST ATTENDANCE
FURTHER ASSESSMENT TYPE FOR NHS HEALTH CHECK
INFORMATION AND ADVICE PROVIDED INDICATOR
INFORMATION AND ADVICE TYPE PROVIDED FOR NHS HEALTH CHECK
INITIAL CONTACT
INITIAL DIAGNOSIS CARE SETTING FOR HIV
~~MATERNITY VISIT CALL REASON~~
MEDICAL STAFF TYPE SEEING PATIENT
METASTATIC STATUS
MULTIPROFESSIONAL OR MULTIDISCIPLINARY INDICATION CODE
NEW HIV DIAGNOSIS IN UNITED KINGDOM INDICATOR
OUTCOME OF ATTENDANCE
OUTCOME OF ATTENDANCE FOR CHILDREN AND YOUNG PEOPLES HEALTH SERVICE SECONDARY USES
PATIENT EXPOSURE TO HIV
PATIENT HIV CARE STATUS
PATIENT INFORMED OF OUTCOME DATE
PATIENT TRIAL STATUS FOR CANCER
POST AND/OR PRE EXPOSURE PROPHYLAXIS CODE
POSTNATAL CARE INDICATOR
PREGNANCY INDICATOR FOR HIV
PSYCHIATRIC CARE INDICATOR FOR HIV
SETTLED ACCOMMODATION INDICATOR
SIGNPOSTING TO SERVICE INDICATOR
SIGNPOSTING TO SERVICE TYPE FOR NHS HEALTH CHECK
SKIN TO SKIN CONTACT INDICATOR
SOCIAL WORKER CARE INDICATOR FOR HIV
STATUTORY ASSESSMENT TYPE
SUBJECTIVE GLOBAL ASSESSMENT
THERAPY TYPE FOR IMPROVING ACCESS TO PSYCHOLOGICAL THERAPIES
TWO YEAR NEONATAL OUTCOMES ASSESSMENT NOT CARRIED OUT REASON

CARE PROFESSIONAL ROLE

Change to Class: Changed Attributes

Attributes of this Class are:

CARE PROFESSIONAL ROLE CODE FOR IMPROVING ACCESS TO PSYCHOLOGICAL THERAPIES
~~ROLE END DATE~~
~~ROLE START DATE~~

CLINICAL INTERVENTION

Change to Class: Changed Attributes

Attributes of this Class are:

ABDOMINAL XRAY PERFORMED REASON
ABDOMINAL XRAY PERFORMED TO INVESTIGATE ABDOMINAL SIGNS INDICATOR
ABLATIVE THERAPY TYPE
ACCIDENT AND EMERGENCY INVESTIGATION
ACCIDENT AND EMERGENCY TREATMENT
ANAESTHESIA TYPE IN LABOUR AND DELIVERY
ANAESTHETIC METHOD TYPE FOR DIALYSIS ACCESS CONSTRUCTION
ANAESTHETIC TYPE FOR JOINT REPLACEMENT
ANTI CANCER REGIMEN NUMBER
ARTERIOVENOUS GRAFT MATERIAL TYPE
ARTIFICIAL RUPTURE OF MEMBRANES REASON CODE
ASA PHYSICAL STATUS CLASSIFICATION SYSTEM CODE
ASSOCIATED PROCEDURE TYPE FOR ANKLE REPLACEMENT
BILIARY STENT INSERTION REASON
BIOLOGICAL RESURFACING TYPE
BLOOD FLOW RATE
BLOOD TRANSFUSION PRODUCT TYPE
BLOOD TRANSFUSION TYPE
BLOOD TRANSFUSION UNITS TRANSFUSED
BONEGRAFT INDICATOR FOR JOINT REPLACEMENT
BONEGRAFT INDICATOR FOR REVISION ANKLE REPLACEMENT
BONEGRAFT TYPE FOR JOINT REPLACEMENT
BRACHYTHERAPY TYPE
BREAST ASSESSMENT OUTCOME
BREAST SCREENING TEST OUTCOME
CANCER IMAGING MODALITY
CANCER TREATMENT MODALITY
CHEMICAL THROMBO PROPHYLAXIS REGIME TYPE
CHEMO RADIATION INDICATOR
CHEMOTHERAPY ACTUAL DOSE
CHEST DRAIN IN SITU INDICATOR
CLINICAL INTERVENTION TYPE
CLINICAL INVESTIGATION NOT PERFORMED REASON CODE FOR MATERNITY
CO MORBIDITY ADJUSTMENT INDICATOR
COMPLICATION TYPE FOR RENAL DIALYSIS ACCESS
COMPONENT REMOVAL INDICATOR
CONTINUOUS INFUSION OF PULMONARY VASODILATOR RECEIVED INDICATOR
CONTINUOUS POSITIVE AIRWAY PRESSURE DELIVERY MODE
CONTRACEPTION METHOD STATUS
CYTOLOGY SCREENING ACTION TYPE
DELIVERED IN WATER INDICATOR
DELIVERY INSTRUMENT TYPE
DELIVERY OF PLACENTA METHOD
DRUG ADMINISTRATION DURATION
DRUG ADMINISTRATION STATUS
DRUG DAYS SUPPLY

DRUG DOSAGE AND ADMIN SPECIFICATION
DRUG IDENTIFICATION
DRUG INFORMATION COMMENT
DRUG INFORMATION TYPE
DRUG QUANTITY SUPPLIED
DRUG REGIMEN ACRONYM
DRUG TREATMENT INTENT
ENDOSCOPIC OR RADIOLOGICAL COMPLICATION TYPE
ENDOSCOPIC PROCEDURE TYPE
ENTERAL FEEDING METHOD
ENTERAL FEED TYPE GIVEN
EPISIOTOMY PERFORMED REASON CODE
EXCISION TYPE
FETAL ORDER
FIRST DEFINITIVE TREATMENT PROVIDED
FIRST DIAGNOSTIC TEST
FIXATION TYPE FOR ELBOW OR SHOULDER REPLACEMENT
FORMULA MILK OR MILK FORTIFIER TYPE
FRACTION NUMBER
HIP SURGERY PATIENT POSITION
IMAGE GUIDED SURGERY INDICATOR
IMAGING ANATOMICAL SITE
IMAGING INTERVENTION INDICATOR
IMAGING MODALITY
IMAGING OR RADIODIAGNOSTIC EVENT INDICATION CODE FOR RENAL CARE
IMMUNITY TEST RESULT
INFECTION CULTURE TEST INDICATOR
INTERVENTION SESSION TYPE
INTRAPARTUM ANTIBIOTICS GIVEN INDICATOR
JOINT REPLACEMENT REVISION REASON CODE FOR ANKLE
JOINT REPLACEMENT REVISION REASON CODE FOR ELBOW
JOINT REPLACEMENT REVISION REASON CODE FOR HIP
JOINT REPLACEMENT REVISION REASON CODE FOR KNEE
JOINT REPLACEMENT REVISION REASON CODE FOR SHOULDER
KIDNEY TRANSPLANTED CODE
LABOUR FIRST STAGE LENGTH
LABOUR OR DELIVERY ONSET METHOD
LABOUR SECOND STAGE LENGTH
LAPAROTOMY FOR NECROTISING ENTEROCOLITIS INDICATION CODE
LONG HEAD BICEPS TENOTOMY INDICATOR
MARGIN INVOLVED INDICATION CODE
MATERNAL CRITICAL INCIDENT TYPE CODE
MECHANICAL THROMBO PROPHYLAXIS REGIME TYPE
MINIMALLY INVASIVE SURGERY INDICATOR
MINOR SURGERY TYPE
MORE THAN THREE RECTAL WASHOUTS RECEIVED INDICATOR
~~NATURE OF RISK AREA CODE~~
NEOADJUVANT THERAPY INDICATOR
NEONATAL CRITICAL INCIDENT TYPE CODE
NEONATAL RESUSCITATION METHOD
NEONATAL RESUSCITATION METHOD FOR NATIONAL NEONATAL DATA SET
NEPHRECTOMY TYPE
NEURODEVELOPMENTAL ASSESSMENT ALREADY TAKEN INDICATOR
NEWBORN HEARING INCOMPLETE REASON CODE
NEWBORN HEARING SCREENING TEST TYPE
NITRIC OXIDE GIVEN INDICATOR

NUMBER OF TELETHERAPY FIELDS
OPERATIVE PROCEDURE INDICATOR
OPPORTUNISTIC SCREENING TYPE
PAIN RELIEF TYPE IN LABOUR AND DELIVERY
PARENTAL CONSENT TO ADMINISTER VITAMIN K INDICATOR
PARENTAL CONSENT TO POST MORTEM INDICATOR
PARENTERAL NUTRITION RECEIVED INDICATOR
PATHOLOGY INVESTIGATION PRIORITY
PATHOLOGY RESULT REPORTED DATE
PATIENT PROCEDURE PERFORMED INDICATOR
PATIENT PROCEDURE TYPE FOR PRIMARY ANKLE REPLACEMENT
PATIENT PROCEDURE TYPE FOR PRIMARY ELBOW REPLACEMENT
PATIENT PROCEDURE TYPE FOR PRIMARY HIP REPLACEMENT
PATIENT PROCEDURE TYPE FOR PRIMARY KNEE REPLACEMENT
PATIENT PROCEDURE TYPE FOR PRIMARY SHOULDER REPLACEMENT
PATIENT PROCEDURE TYPE FOR REVISION ANKLE REPLACEMENT
PATIENT PROCEDURE TYPE FOR REVISION ELBOW REPLACEMENT
PATIENT PROCEDURE TYPE FOR REVISION HIP REPLACEMENT
PATIENT PROCEDURE TYPE FOR REVISION KNEE REPLACEMENT
PATIENT PROCEDURE TYPE FOR REVISION SHOULDER REPLACEMENT
PERFORATIONS OR SEROSAL INVOLVEMENT INDICATION CODE
PERITONEAL DIALYSIS CATHETER INSERTION TECHNIQUE
PERITONEAL DIALYSIS CATHETER TYPE
PLANE OF SURGICAL EXCISION TYPE
PLANNED TREATMENT CHANGE REASON
POST MORTEM CARRIED OUT INDICATOR
POST MORTEM CONFIRMED NECROTISING ENTEROCOLITIS DIAGNOSIS INDICATOR
POST MORTEM TYPE
PREVIOUS BONY INFECTION INDICATOR OF TIBIA OR HINDFOOT
PREVIOUS FRACTURE INDICATOR FOR ANKLE REPLACEMENT
PREVIOUS SURGERY TYPE FOR ANKLE JOINT
PREVIOUS SURGERY TYPE FOR SHOULDER REPLACEMENT
PRIMARY SCREENING
PRINCIPAL DIAGNOSTIC IMAGING TYPE
PROCEDURE RENAL DIALYSIS ACCESS REPAIR OR REVISION TYPE
PROCEDURE SIDE RENAL DIALYSIS ACCESS CONSTRUCTION CODE
PROCEDURE SITE RENAL DIALYSIS ACCESS CONSTRUCTION CODE
RADIOISOTOPE
RADIOLOGICAL PROCEDURE TYPE
RADIOTHERAPY ACTUAL DOSE
RADIOTHERAPY BEAM TYPE
RADIOTHERAPY PRESCRIBED DOSE
RADIOTHERAPY TREATMENT MODALITY
REMOVAL REASON TYPE FOR DIALYSIS ACCESS
RENAL DIALYSIS ACCESS TYPE
RENAL TRANSPLANT FAILURE CAUSE CODE
REPROGLE TUBE IN SITU INDICATOR
RESPIRATORY SUPPORT DEVICE TYPE FOR NATIONAL NEONATAL DATA SET
RESPIRATORY SUPPORT MODE FOR NATIONAL NEONATAL DATA SET
RESULT SENT DIRECT
RETINOPATHY OF PREMATURETY SCREENING OUTCOME STATUS CODE
REVISION PROCEDURE TYPE FOR ANKLE OR KNEE REPLACEMENT
REVISION PROCEDURE TYPE FOR ELBOW OR SHOULDER REPLACEMENT
REVISION PROCEDURE TYPE FOR HIP REPLACEMENT
ROTATOR CUFF CONDITION
~~ROUTINE OR EMERGENCY~~

RUPTURE OF MEMBRANES METHOD
SARCOMA SURGICAL MARGIN
SCHEDULED SESSION DURING OR OUTSIDE
SENTINEL LYMPH NODE BIOPSY TYPE
SIGNIFICANT MATERNAL PYREXIA IN LABOUR INDICATOR
STEM CELL INFUSION DONOR TYPE
STEM CELL INFUSION SOURCE CODE
STENT DEPLOYED SUCCESS INDICATOR
STEROIDS GIVEN DURING PREGNANCY TO MATURE FETAL LUNGS INDICATOR
STOMA PRESENT INDICATOR
SURGICAL ACCESS TYPE
SURGICAL ACCESS TYPE FOR THORACIC
SURGICAL APPROACH FOR PRIMARY HIP REPLACEMENT
SURGICAL APPROACH FOR PRIMARY KNEE REPLACEMENT
SURGICAL APPROACH FOR PRIMARY OR REVISION ANKLE REPLACEMENT
SURGICAL APPROACH FOR PRIMARY OR REVISION SHOULDER REPLACEMENT
SURGICAL APPROACH FOR REVISION HIP REPLACEMENT
SURGICAL APPROACH FOR REVISION KNEE REPLACEMENT
SURGICAL COMPLICATION TYPE
SURGICAL DEFAULT TECHNIQUE INDICATOR
SURGICAL PALLIATION TYPE
SURGICAL VOICE RESTORATION PERMANENT VALVE REMOVAL REASON
SYSTEMIC ANTI CANCER THERAPY DRUG ROUTE OF ADMINISTRATION
SYSTEMIC ANTI CANCER THERAPY PROGRAMME NUMBER
SYSTEMIC ANTI CANCER THERAPY REGIMEN MODIFICATION INDICATOR
TELETHERAPY BEAM TYPE
TELETHERAPY ELECTRON ENERGY
TELETHERAPY PHOTON ENERGY
TRACHEOSTOMY TUBE IN SITU INDICATOR
TREATMENT TYPE FOR NECROTISING ENTEROCOLITIS
TREATMENT TYPE FOR PATENT DUCTUS ARTERIOSUS
UNPLANNED OPERATION INDICATOR
UNTOWARD INTRAOPERATIVE EVENT CODE FOR ANKLE REPLACEMENT
UNTOWARD INTRAOPERATIVE EVENT CODE FOR ELBOW REPLACEMENT
UNTOWARD INTRAOPERATIVE EVENT CODE FOR HIP REPLACEMENT
UNTOWARD INTRAOPERATIVE EVENT CODE FOR KNEE REPLACEMENT
UNTOWARD INTRAOPERATIVE EVENT CODE FOR SHOULDER REPLACEMENT
VASCULAR LINE TYPE IN SITU
VISUAL INSPECTION CONFIRMED NECROTISING ENTEROCOLITIS DURING LAPAROTOMY INDICATOR
VITAMIN K ADMINISTERED INDICATOR
VITAMIN K ROUTE OF ADMINISTRATION

DIAGNOSTIC TEST REQUEST

Change to Class: Changed Attributes

Attributes of this Class are:

DIAGNOSTIC TEST REQUEST DATE
DIAGNOSTIC TEST REQUEST RECEIVED DATE
DIAGNOSTIC TEST REQUEST TYPE
PATHOLOGY SPECIALTY
PATIENT SOURCE SETTING TYPE FOR DIAGNOSTIC IMAGING
RADIOLOGY APPOINTMENT REQUIRED
RADIOLOGY INVESTIGATION PREV INDICATOR
RADIOLOGY PROCEDURE EARLIEST DATE
RADIOLOGY PROCEDURE LATEST DATE

RADIOLOGY PROCEDURE PRIORITY
RADIOLOGY PROCEDURE REQUESTED DATE
RADIOLOGY PROCEDURE REQUESTED TIME
~~REQUIRED OUTSIDE NORMAL WORKING HOURS~~
SMEAR SOURCE TYPE

ORGANISATION

Change to Class: Changed Attributes

Attributes of this Class are:

K ORGANISATION CODE
~~APPROVED FOR HSPS~~
DEPARTMENT OF HEALTH ORGANISATION CODE
~~ORGANISATION COMMENT~~
~~ORGANISATION END DATE~~
ORGANISATION IDENTIFIER FOR NATIONAL BREAST SCREENING PROGRAMME
ORGANISATION NAME
~~ORGANISATION START DATE~~
ORGANISATION TYPE

ORGANISATION ACTIVITY ROLE (RETIRED)_ renamed from ORGANISATION ACTIVITY ROLE

Change to Class: Changed Description, Attributes, status to Retired, Name, Relationships

The role an [ORGANISATION](#) plays in a particular [ACTIVITY](#), e.g. commissioner, supplier of services. **This item has been retired from the NHS Data Model and Dictionary.**

The last live version of this item is available in the February 2014 release of the NHS Data Model and Dictionary.

Access to this version can be obtained by emailing information_standards@hscic.gov.uk with "NHS Data Model and Dictionary - Archive Request" in the email subject line.

ORGANISATION ACTIVITY ROLE (RETIRED)_ renamed from ORGANISATION ACTIVITY ROLE

Change to Class: Changed Description, Attributes, status to Retired, Name, Relationships

Attributes of this Class are:

⌘ ~~ORGANISATION ACTIVITY ROLE CODE~~

This class has no attributes.

ORGANISATION ACTIVITY ROLE (RETIRED)_ renamed from ORGANISATION ACTIVITY ROLE

Change to Class: Changed Description, Attributes, status to Retired, Name, Relationships

Each ORGANISATION ACTIVITY ROLE

⌘ ~~must be the performer of one and only one ACTIVITY~~
⌘ ~~must be played by one and only one ORGANISATION~~

ORGANISATION ACTIVITY ROLE (RETIRED)_ renamed from ORGANISATION ACTIVITY ROLE

Change to Class: Changed Description, Attributes, status to Retired, Name, Relationships

- Changed Description
- Changed Attributes
- Retired ORGANISATION ACTIVITY ROLE
- Changed Name from Data_Dictionary.Classes.O.ORGANISATION_ACTIVITY_ROLE to Retired.Data_Dictionary.Classes.O.ORGANISATION_ACTIVITY_ROLE
- Changed Relationships

ORGANISATION REGISTRATION USER (RETIRED) renamed from ORGANISATION REGISTRATION USER

Change to Class: Changed Description, Attributes, status to Retired, Name, Relationships

The type and number of service users of a particular age or condition such as physically disabled, drug dependant, terminally ill, under 65 or old age, intended to use a [Care Home](#) or a [Children's Home](#). This item has been retired from the NHS Data Model and Dictionary.

The last live version of this item is available in the February 2014 release of the NHS Data Model and Dictionary.

Access to this version can be obtained by emailing information.standards@hscic.gov.uk with "NHS Data Model and Dictionary - Archive Request" in the email subject line.

ORGANISATION REGISTRATION USER (RETIRED) renamed from ORGANISATION REGISTRATION USER

Change to Class: Changed Description, Attributes, status to Retired, Name, Relationships

Attributes of this Class are:

⌘ HOME TYPE

This class has no attributes.

ORGANISATION REGISTRATION USER (RETIRED) renamed from ORGANISATION REGISTRATION USER

Change to Class: Changed Description, Attributes, status to Retired, Name, Relationships

Each ORGANISATION REGISTRATION USER

⌘ must be the user of one and only one ORGANISATION REGISTRATION

ORGANISATION REGISTRATION USER (RETIRED) renamed from ORGANISATION REGISTRATION USER

Change to Class: Changed Description, Attributes, status to Retired, Name, Relationships

- Changed Description
- Changed Attributes
- Retired ORGANISATION REGISTRATION USER
- Changed Name from Data_Dictionary.Classes.O.ORGANISATION_REGISTRATION_USER to Retired.Data_Dictionary.Classes.O.ORGANISATION_REGISTRATION_USER
- Changed Relationships

ORGANISATION SITE

Change to Class: Changed Attributes

Attributes of this Class are:

K ORGANISATION SITE CODE
~~ORGANISATION SITE END DATE~~
ORGANISATION SITE NAME
ORGANISATION SITE TYPE
~~ORIGIN~~
SECURE ACCOMMODATION TYPE CLASSIFIER

PATIENT

Change to Class: Changed Attributes

Attributes of this Class are:

CARER SUPPORT INDICATOR
COMMUNITY HEALTH INDEX NUMBER
~~DRUG MISUSE DATABASE NUMBER~~
~~DRUG MISUSER INJECTED EVER~~
~~DRUG MISUSER SHARED NEEDLE EVER~~
HEALTH AND CARE NUMBER
~~INJECTED IN LAST 4 WEEKS~~
NHS NUMBER
OVERSEAS VISITOR UK ARRIVAL DATE
RENAL REASON FOR NO TREATMENT CODE
RENAL REGISTRATION NUMBER
SCOTTISH RENAL REGISTRY NUMBER
~~SHARED NEEDLE OR SYRINGE IN LAST 4 WEEKS~~
YEAR OF FIRST KNOWN PSYCHIATRIC CARE

PERSON IN PROGRAMME

Change to Class: Changed Attributes

Attributes of this Class are:

K PERSON IN PROGRAMME START DATE
BREAST SCREENING CALL STATUS
DISEASE FOUND INDICATOR
MATERNAL HB STATUS
PERSON IN PROGRAMME END DATE
~~REASON FOR NO START OR COMPLETION~~
SCREENING STATUS
TRACED INDICATOR

PLANNED ACTIVITY

Change to Class: Changed Attributes

Attributes of this Class are:

K PLANNED ACTIVITY SEQUENCE NUMBER
DECISION TO TREAT DATE
FIRST DEFINITIVE TREATMENT PLANNED
PLANNED ACTIVITY TYPE
PLANNED CANCER TREATMENT TYPE
PLANNED DEFINITIVE TREATMENT
PLANNED SERVICE DESCRIPTION
~~RADIOLOGY INVESTIGATION PLAN IDENTIFIER~~
RADIOLOGY INVESTIGATION PLAN STATUS

PRESCRIPTION

Change to Class: Changed Description

A subtype of [SERVICE REQUEST](#).

A request for the dispensing of one or more items or [SERVICE](#) to a [PATIENT](#).

Subtypes of [PRESCRIPTION](#) are:

- [CHEMOTHERAPY PRESCRIPTION](#)
- ~~[PRESCRIPTION FOR MEDICINES AND DEVICES AND BLOOD PRODUCTS](#)~~
- [RADIOTHERAPY PRESCRIPTION](#)
- ~~[RADIOTHERAPY PRESCRIPTION](#)~~

PRESCRIPTION FOR MEDICINES AND DEVICES AND BLOOD PRODUCTS (RETIRED) renamed from PRESCRIPTION FOR MEDICINES AND DEVICES AND BLOOD PRODUCTS

Change to Class: Changed Description, status to Retired, Name

A subtype of [PRESCRIPTION](#). **This item has been retired from the NHS Data Model and Dictionary.**

A request for dispensing one or more items or products to a [PATIENT](#). **The last live version of this item is available in the February 2014 release of the NHS Data Model and Dictionary.**

Access to this version can be obtained by emailing information.standards@hscic.gov.uk with "NHS Data Model and Dictionary - Archive Request" in the email subject line.

PRESCRIPTION FOR MEDICINES AND DEVICES AND BLOOD PRODUCTS (RETIRED) renamed from PRESCRIPTION FOR MEDICINES AND DEVICES AND BLOOD PRODUCTS

Change to Class: Changed Description, status to Retired, Name

- Changed Description
- Retired PRESCRIPTION FOR MEDICINES AND DEVICES AND BLOOD PRODUCTS
- Changed Name from Data_Dictionary.Classes.P.PRESCRIPTION_FOR_MEDICINES_AND_DEVICES_AND_BLOOD_PRODUCTS to Retired.Data_Dictionary.Classes.P.PRESCRIPTION_FOR_MEDICINES_AND_DEVICES_AND_BLOOD_PRODUCTS

REFERRAL DELAY

Change to Class: Changed Attributes

Attributes of this Class are:

- ✦ ~~REFERRAL DELAY NUMBER~~
- DELAY REASON COMMENT
- DELAY REASON INDICATOR
- DELAY REASON REFERRAL TO FIRST SEEN FOR CANCER OR BREAST SYMPTOMS
- DELAY REASON TO TREATMENT FOR CANCER
- ~~REFERRAL DELAY TYPE~~

WAITING TIME ADJUSTMENT REASON

REFERRAL REQUEST

Change to Class: Changed Attributes

Attributes of this Class are:

BENIGN THERAPEUTIC OPERATION INDICATOR
COLPOSCOPY REFERRAL INDICATION
COMMISSIONER REFERENCE NUMBER
OUT-PATIENT CLINIC REFERRING INDICATOR
REASON FOR REFERRAL TO COMMUNITY CARE
REFERRAL CLOSURE REASON FOR COMMUNITY CARE
REFERRAL REQUEST ACCEPTANCE INDICATOR
REFERRAL REQUEST RECEIVED TIME
REFERRAL REQUEST SERVICE TYPE FOR NHS HEALTH CHECK
REFERRAL REQUEST TYPE
REFERRAL STATUS
SCREENING REFERRAL SOURCE
SERVICE TYPE REQUESTED
SERVICE TYPE REQUESTED FOR CHILD AND ADOLESCENT MENTAL HEALTH
SOURCE OF REFERRAL FOR A and E
SOURCE OF REFERRAL FOR COMMUNITY
SOURCE OF REFERRAL FOR MENTAL HEALTH
SOURCE OF REFERRAL FOR OUT-PATIENTS
SOURCE OF REFERRAL FOR PROF STAFF GROUP
TWO WEEK WAIT CANCER OR SYMPTOMATIC BREAST REFERRAL TYPE
TWO WEEK WAIT EXCLUSION INDICATOR

REGISTER

Change to Class: Changed Attributes

Attributes of this Class are:

K REGISTER NAME
~~REGISTER REGISTRATION TYPE CODE~~

SERVICE REPORT

Change to Class: Changed Attributes

Attributes of this Class are:

K SERVICE REPORT IDENTIFIER
~~RADIOLOGY SERVICE REPORT URGENCY~~
SERVICE REPORT ISSUE DATE
SERVICE REPORT STATUS

SESSION

Change to Class: Changed Attributes

Attributes of this Class are:

K SESSION DATE
K SESSION NUMBER
K SESSION TIME
DAY CARE FUNCTION

DAY CARE TOTAL PLACE DAYS AVAILABLE
DAY CARE TOTAL PLACE DAYS CANCELLED
GROUP SESSION TYPE CODE FOR COMMUNITY CARE
~~HELD OR CANCELLED~~
NUMBER IN GROUP
OPERATING THEATRE SESSION TYPE
SESSION END TIME
SESSION TYPE

SUBSTANCE MISUSED

Change to Class: Changed Attributes

Attributes of this Class are:

⌘ ~~DRUG MISUSE DATABASE DRUG CODE~~
~~DRUG DURATION~~
SUBSTANCE MISUSED AGE AT FIRST USE
~~SUBSTANCE MISUSED DRUG PRESCRIBED~~
~~SUBSTANCE MISUSED FREQUENCY OF USE~~
SUBSTANCE MISUSED STATUS

APPROVED FOR HSPTS (RETIRED)_ renamed from APPROVED FOR HSPTS

Change to Attribute: Changed Description, status to Retired, Name

An indication of whether or not an [NHS Trust](#) is approved to provide high security psychiatric services in high security accommodation for [PATIENTS](#) liable to be detained in hospital under provisions of the Mental Health Act 1983, who require treatment under conditions of special security on account of their dangerous, violent or criminal propensities. The services will be provided at one or more [Hospital Sites](#) of the [NHS Trust](#). **This item has been retired from the NHS Data Model and Dictionary.**

To provide such services, the [NHS Trust](#) must be approved by the Secretary of State under paragraph 10(2) and (3) of Schedule 2 to the National Health Service and Community Care Act 1990. **The last live version of this item is available in the February 2014 release of the NHS Data Model and Dictionary.**

Classification: Access to this version can be obtained by emailing information.standards@hscic.gov.uk with "NHS Data Model and Dictionary - Archive Request" in the email subject line.

a: Yes
b: No

References:

Statutory Instrument 2000 No. 267, The National Health Service (Functions of Health Authorities and Administration Arrangements) Amendment Regulations 2000

APPROVED FOR HSPTS (RETIRED)_ renamed from APPROVED FOR HSPTS

Change to Attribute: Changed Description, status to Retired, Name

- Changed Description
- Retired APPROVED FOR HSPTS
- Changed Name from Data_Dictionary.Attributes.A.Ap.APPROVED_FOR_HSPTS to Retired.Data_Dictionary.Attributes.A.APPROVED_FOR_HSPTS

DRUG DURATION (RETIRED)_ renamed from DRUG DURATION

Change to Attribute: Changed Description, status to Retired, Name

~~The number of weeks that a [SUBSTANCE](#) has been misused.~~ **This item has been retired from the NHS Data Model and Dictionary.**

The last live version of this item is available in the February 2014 release of the NHS Data Model and Dictionary.

Access to this version can be obtained by emailing information.standards@hscic.gov.uk with "NHS Data Model and Dictionary - Archive Request" in the email subject line.

DRUG DURATION (RETIRED)_ renamed from DRUG DURATION

Change to Attribute: Changed Description, status to Retired, Name

- Changed Description
- Retired DRUG DURATION
- Changed Name from Data_Dictionary.Attributes.D.Drug.DRUG_DURATION to Retired.Data_Dictionary.Attributes.D.DRUG_DURATION

DRUG MISUSE DATABASE DRUG CODE (RETIRED)_ renamed from DRUG MISUSE DATABASE DRUG CODE

Change to Attribute: Changed Description, status to Retired, Name

~~The code which uniquely identifies an entry in the drugs list of valid drugs for the Manchester University Drug Misuse Database. The original list is published in the Drug Misuse Database (DMD) handbook, commonly known as the 'grey book'.~~ **This item has been retired from the NHS Data Model and Dictionary.**

The last live version of this item is available in the February 2014 release of the NHS Data Model and Dictionary.

Access to this version can be obtained by emailing information.standards@hscic.gov.uk with "NHS Data Model and Dictionary - Archive Request" in the email subject line.

DRUG MISUSE DATABASE DRUG CODE (RETIRED)_ renamed from DRUG MISUSE DATABASE DRUG CODE

Change to Attribute: Changed Description, status to Retired, Name

- Changed Description
- Retired DRUG MISUSE DATABASE DRUG CODE
- Changed Name from Data_Dictionary.Attributes.D.Drug.DRUG_MISUSE_DATABASE_DRUG_CODE to Retired.Data_Dictionary.Attributes.D.DRUG_MISUSE_DATABASE_DRUG_CODE

DRUG MISUSE DATABASE NUMBER (RETIRED)_ renamed from DRUG MISUSE DATABASE NUMBER

Change to Attribute: Changed Description, status to Retired, Name

~~A unique identifier for a [Drug Misuser](#) on a database maintained by a [Drug Misuse Facility](#).~~ **This item has been retired from the NHS Data Model and Dictionary.**

The last live version of this item is available in the February 2014 release of the NHS Data Model and Dictionary.

Access to this version can be obtained by emailing information.standards@hscic.gov.uk with "NHS Data Model and Dictionary - Archive Request" in the email subject line.

DRUG MISUSE DATABASE NUMBER (RETIRED)_ renamed from DRUG MISUSE DATABASE NUMBER

Change to Attribute: Changed Description, status to Retired, Name

- Changed Description
- Retired DRUG MISUSE DATABASE NUMBER
- Changed Name from Data_Dictionary.Attributes.D.Drug.DRUG_MISUSE_DATABASE_NUMBER to Retired.Data_Dictionary.Attributes.D.DRUG_MISUSE_DATABASE_NUMBER

DRUG MISUSER INJECTED EVER (RETIRED)_ renamed from DRUG MISUSER INJECTED EVER

Change to Attribute: Changed Description, status to Retired, Name

~~An indication of whether the [Drug Misuser](#) has ever injected.~~ This item has been retired from the NHS Data Model and Dictionary.

~~Classification:~~ The last live version of this item is available in the February 2014 release of the NHS Data Model and Dictionary.

- a. Yes
- b. No

Access to this version can be obtained by emailing information.standards@hscic.gov.uk with "NHS Data Model and Dictionary - Archive Request" in the email subject line.

DRUG MISUSER INJECTED EVER (RETIRED)_ renamed from DRUG MISUSER INJECTED EVER

Change to Attribute: Changed Description, status to Retired, Name

- Changed Description
- Retired DRUG MISUSER INJECTED EVER
- Changed Name from Data_Dictionary.Attributes.D.Drug.DRUG_MISUSER_INJECTED_EVER to Retired.Data_Dictionary.Attributes.D.DRUG_MISUSER_INJECTED_EVER

DRUG MISUSER SHARED NEEDLE EVER (RETIRED)_ renamed from DRUG MISUSER SHARED NEEDLE EVER

Change to Attribute: Changed Description, status to Retired, Name

~~An indication of whether a shared injecting equipment has ever been used by a [Drug Misuser](#).~~ This item has been retired from the NHS Data Model and Dictionary.

~~Classification:~~ The last live version of this item is available in the February 2014 release of the NHS Data Model and Dictionary.

- a. Yes
b. No

Access to this version can be obtained by emailing information_standards@hscic.gov.uk with "NHS Data Model and Dictionary - Archive Request" in the email subject line.

DRUG MISUSER SHARED NEEDLE EVER (RETIRED)_ renamed from DRUG MISUSER SHARED NEEDLE EVER

Change to Attribute: Changed Description, status to Retired, Name

- Changed Description
- Retired DRUG MISUSER SHARED NEEDLE EVER
- Changed Name from Data_Dictionary.Attributes.D.Drug.DRUG_MISUSER_SHARED_NEEDLE_EVER to Retired.Data_Dictionary.Attributes.D.DRUG_MISUSER_SHARED_NEEDLE_EVER

HELD OR CANCELLED (RETIRED)_ renamed from HELD OR CANCELLED

Change to Attribute: Changed Description, status to Retired, Name

~~Indicates whether a [SESSION](#) was 'held' or cancelled.~~ **This item has been retired from the NHS Data Model and Dictionary.**

~~An [Operating Theatre Session](#) is 'held' if at least one operation is carried out during the period by a member of the [CONSULTANT](#) firm of the same specialty as that allocated the [SESSION](#).~~ **The last live version of this item is available in the February 2014 release of the NHS Data Model and Dictionary.**

~~An [Operating Theatre Session](#) is 'cancelled' if a member of the [CONSULTANT](#) firm of the same specialty as that allocated the [SESSION](#) does not perform at least one operation during the period to which the [SESSION](#) was finally allocated.~~ **Access to this version can be obtained by emailing information_standards@hscic.gov.uk with "NHS Data Model and Dictionary - Archive Request" in the email subject line.**

~~For [Consultant Clinic Session](#), this records whether or not the intended [SESSION](#) took place.~~

~~For [Radiology Department](#) this records whether a [Fraction](#), for which an appointment was made, took place.~~

HELD OR CANCELLED (RETIRED)_ renamed from HELD OR CANCELLED

Change to Attribute: Changed Description, status to Retired, Name

- Changed Description
- Retired HELD OR CANCELLED
- Changed Name from Data_Dictionary.Attributes.H.HELD_OR_CANCELLED to Retired.Data_Dictionary.Attributes.H.HELD_OR_CANCELLED

HOME TYPE (RETIRED)_ renamed from HOME TYPE

Change to Attribute: Changed Description, status to Retired, Name

~~Identifies if a home is a [Care Home](#) or a [Children's Home](#).~~ **This item has been retired from the NHS Data Model and Dictionary.**

~~*National Codes:*~~ **The last live version of this item is available in the February 2014 release of the NHS Data Model and Dictionary.**

- 01 [Care Home](#)
- 02 [Children's Home](#)

Access to this version can be obtained by emailing information.standards@hscic.gov.uk with "NHS Data Model and Dictionary - Archive Request" in the email subject line.

HOME TYPE (RETIRED)_ renamed from HOME TYPE

Change to Attribute: Changed Description, status to Retired, Name

- Changed Description
- Retired HOME TYPE
- Changed Name from Data_Dictionary.Attributes.H.Hom.HOME_TYPE to Retired.Data_Dictionary.Attributes.H.HOME_TYPE

INJECTED IN LAST 4 WEEKS (RETIRED)_ renamed from INJECTED IN LAST 4 WEEKS

Change to Attribute: Changed Description, status to Retired, Name

An indication of whether or not a [SUBSTANCE](#) has been injected by the [PATIENT](#) in the last four weeks. **This item has been retired from the NHS Data Model and Dictionary.**

Classification: **The last live version of this item is available in the February 2014 release of the NHS Data Model and Dictionary.**

- a. Yes
- b. No

Access to this version can be obtained by emailing information.standards@hscic.gov.uk with "NHS Data Model and Dictionary - Archive Request" in the email subject line.

INJECTED IN LAST 4 WEEKS (RETIRED)_ renamed from INJECTED IN LAST 4 WEEKS

Change to Attribute: Changed Description, status to Retired, Name

- Changed Description
- Retired INJECTED IN LAST 4 WEEKS
- Changed Name from Data_Dictionary.Attributes.I.Inc.INJECTED_IN_LAST_4_WEEKS to Retired.Data_Dictionary.Attributes.I.INJECTED_IN_LAST_4_WEEKS

MATERNITY VISIT CALL REASON (RETIRED)_ renamed from MATERNITY VISIT CALL REASON

Change to Attribute: Changed Description, status to Retired, Name

This records the reason for a [Maternity Domiciliary Visit](#) by the flying squad, [MIDWIVES](#) or health visitors. **This item has been retired from the NHS Data Model and Dictionary.**

Classification: **The last live version of this item is available in the February 2014 release of the NHS Data Model and Dictionary.**

- a. Care of the mother
 - i. before the onset of labour
 - ii. in labour
 - iii. post-partum

~~b. Care of the baby~~

Access to this version can be obtained by emailing information.standards@hscic.gov.uk with "NHS Data Model and Dictionary - Archive Request" in the email subject line.

MATERNITY VISIT CALL REASON (RETIRED)_ renamed from MATERNITY VISIT CALL REASON

Change to Attribute: Changed Description, status to Retired, Name

- Changed Description
- Retired MATERNITY VISIT CALL REASON
- Changed Name from Data_Dictionary.Attributes.M.MATERNITY_VISIT_CALL_REASON to Retired.Data_Dictionary.Attributes.M.MATERNITY_VISIT_CALL_REASON

NATURE OF RISK AREA CODE (RETIRED)_ renamed from NATURE OF RISK AREA CODE

Change to Attribute: Changed Description, status to Retired, Name

~~The classification of special risk areas of the world a [PATIENT](#) is intending to visit, required in terms of vaccinations needed.~~ This item has been retired from the NHS Data Model and Dictionary.

~~Classification:~~ The last live version of this item is available in the February 2014 release of the NHS Data Model and Dictionary.

- ~~a. Southern Europe (inc. Cyprus, Turkey, Greece)~~
- ~~b. USA~~
- ~~c. Canada~~
- ~~d. South America~~
- ~~e. Asia~~
- ~~f. Africa~~
- ~~g. Northern Europe (inc. Denmark, Iceland, Sweden, Belgium, Norway, Holland)~~
- ~~h. Australia~~
- ~~i. New Zealand~~
- ~~j. Other~~

~~References:~~

~~Statement of Fees and Allowances Payable to General Medical Practitioners in England and Wales.~~ Access to this version can be obtained by emailing information.standards@hscic.gov.uk with "NHS Data Model and Dictionary - Archive Request" in the email subject line.

NATURE OF RISK AREA CODE (RETIRED)_ renamed from NATURE OF RISK AREA CODE

Change to Attribute: Changed Description, status to Retired, Name

- Changed Description
- Retired NATURE OF RISK AREA CODE
- Changed Name from Data_Dictionary.Attributes.N.NATURE_OF_RISK_AREA_CODE to Retired.Data_Dictionary.Attributes.N.NATURE_OF_RISK_AREA_CODE

ORGANISATION ACTIVITY ROLE CODE (RETIRED)_ renamed from ORGANISATION ACTIVITY ROLE CODE

Change to Attribute: Changed Description, status to Retired, Name

The code of the role which an [ORGANISATION](#) is performing within an [ACTIVITY](#). This item has been retired from the NHS Data Model and Dictionary.

The last live version of this item is available in the February 2014 release of the NHS Data Model and Dictionary.

Access to this version can be obtained by emailing information.standards@hscic.gov.uk with "NHS Data Model and Dictionary - Archive Request" in the email subject line.

ORGANISATION ACTIVITY ROLE CODE (RETIRED)_ renamed from ORGANISATION ACTIVITY ROLE CODE

Change to Attribute: Changed Description, status to Retired, Name

- Changed Description
- Retired ORGANISATION ACTIVITY ROLE CODE
- Changed Name from Data_Dictionary.Attributes.O.Org.ORGANISATION_ACTIVITY_ROLE_CODE to Retired.Data_Dictionary.Attributes.O.ORGANISATION_ACTIVITY_ROLE_CODE

ORGANISATION COMMENT (RETIRED)_ renamed from ORGANISATION COMMENT

Change to Attribute: Changed Description, status to Retired, Name

A comment pertinent to the [ORGANISATION](#). This item has been retired from the NHS Data Model and Dictionary.

The last live version of this item is available in the February 2014 release of the NHS Data Model and Dictionary.

Access to this version can be obtained by emailing information.standards@hscic.gov.uk with "NHS Data Model and Dictionary - Archive Request" in the email subject line.

ORGANISATION COMMENT (RETIRED)_ renamed from ORGANISATION COMMENT

Change to Attribute: Changed Description, status to Retired, Name

- Changed Description
- Retired ORGANISATION COMMENT
- Changed Name from Data_Dictionary.Attributes.O.Org.ORGANISATION_COMMENT to Retired.Data_Dictionary.Attributes.O.ORGANISATION_COMMENT

ORGANISATION END DATE (RETIRED)_ renamed from ORGANISATION END DATE

Change to Attribute: Changed Description, status to Retired, Name

The date on which an [ORGANISATION](#) ceases to exist. This item has been retired from the NHS Data Model and Dictionary.

The last live version of this item is available in the February 2014 release of the NHS Data Model and Dictionary.

Access to this version can be obtained by emailing information.standards@hscic.gov.uk with "NHS Data Model and Dictionary - Archive Request" in the email subject line.

ORGANISATION END DATE (RETIRED)_ renamed from ORGANISATION END DATE

Change to Attribute: Changed Description, status to Retired, Name

- Changed Description
- Retired ORGANISATION END DATE
- Changed Name from Data_Dictionary.Attributes.O.Org.ORGANISATION_END_DATE to Retired.Data_Dictionary.Attributes.O.ORGANISATION_END_DATE

ORGANISATION SITE END DATE (RETIRED)_ renamed from ORGANISATION SITE END DATE

Change to Attribute: Changed Description, status to Retired, Name

The date on which the [ORGANISATION_SITE](#) ceases to exist. **This item has been retired from the NHS Data Model and Dictionary.**

The last live version of this item is available in the February 2014 release of the NHS Data Model and Dictionary.

Access to this version can be obtained by emailing information.standards@hscic.gov.uk with "NHS Data Model and Dictionary - Archive Request" in the email subject line.

ORGANISATION SITE END DATE (RETIRED)_ renamed from ORGANISATION SITE END DATE

Change to Attribute: Changed Description, status to Retired, Name

- Changed Description
- Retired ORGANISATION SITE END DATE
- Changed Name from Data_Dictionary.Attributes.O.Org.ORGANISATION_SITE_END_DATE to Retired.Data_Dictionary.Attributes.O.ORGANISATION_SITE_END_DATE

ORGANISATION START DATE (RETIRED)_ renamed from ORGANISATION START DATE

Change to Attribute: Changed Description, status to Retired, Name

The date on which an [ORGANISATION](#) begins to exist. **This item has been retired from the NHS Data Model and Dictionary.**

The last live version of this item is available in the February 2014 release of the NHS Data Model and Dictionary.

Access to this version can be obtained by emailing information.standards@hscic.gov.uk with "NHS Data Model and Dictionary - Archive Request" in the email subject line.

ORGANISATION START DATE (RETIRED)_ renamed from ORGANISATION START DATE

Change to Attribute: Changed Description, status to Retired, Name

- Changed Description

- Retired ORGANISATION START DATE
- Changed Name from Data_Dictionary.Attributes.O.Org.ORGANISATION_START_DATE to Retired.Data_Dictionary.Attributes.O.ORGANISATION_START_DATE

ORIGIN (RETIRED)_ renamed from ORIGIN

Change to Attribute: Changed Description, status to Retired, Name

~~The origin of the [ORGANISATION_SITE](#), i.e. whether purpose-built, adapted, etc.~~ **This item has been retired from the NHS Data Model and Dictionary.**

The last live version of this item is available in the February 2014 release of the NHS Data Model and Dictionary.

Access to this version can be obtained by emailing information.standards@hscic.gov.uk with "NHS Data Model and Dictionary - Archive Request" in the email subject line.

ORIGIN (RETIRED)_ renamed from ORIGIN

Change to Attribute: Changed Description, status to Retired, Name

- Changed Description
- Retired ORIGIN
- Changed Name from Data_Dictionary.Attributes.O.Org.ORIGIN to Retired.Data_Dictionary.Attributes.O.ORIGIN

RADIOLOGY INVESTIGATION PLAN IDENTIFIER (RETIRED)_ renamed from RADIOLOGY INVESTIGATION PLAN IDENTIFIER

Change to Attribute: Changed Description, status to Retired, Name

~~A unique identifier for a [Radiology Investigation Plan](#).~~ **This item has been retired from the NHS Data Model and Dictionary.**

The last live version of this item is available in the February 2014 release of the NHS Data Model and Dictionary.

Access to this version can be obtained by emailing information.standards@hscic.gov.uk with "NHS Data Model and Dictionary - Archive Request" in the email subject line.

RADIOLOGY INVESTIGATION PLAN IDENTIFIER (RETIRED)_ renamed from RADIOLOGY INVESTIGATION PLAN IDENTIFIER

Change to Attribute: Changed Description, status to Retired, Name

- Changed Description
- Retired RADIOLOGY INVESTIGATION PLAN IDENTIFIER
- Changed Name from Data_Dictionary.Attributes.R.RADIOLOGY_INVESTIGATION_PLAN_IDENTIFIER to Retired.Data_Dictionary.Attributes.R.RADIOLOGY_INVESTIGATION_PLAN_IDENTIFIER

RADIOLOGY SERVICE REPORT URGENCY (RETIRED)_ renamed from RADIOLOGY SERVICE REPORT URGENCY

Change to Attribute: Changed Description, status to Retired, Name

~~Indication by the radiology service provider of the urgency with which the receiver should examine and consider the report.~~ **This item has been retired from the NHS Data Model and Dictionary.**

~~**Classification:** The last live version of this item is available in the February 2014 release of the NHS Data Model and Dictionary.~~

- a High priority
- b Medium priority
- c Low priority

~~Access to this version can be obtained by emailing information.standards@hscic.gov.uk with "NHS Data Model and Dictionary - Archive Request" in the email subject line.~~

RADIOLOGY SERVICE REPORT URGENCY (RETIRED)_ renamed from RADIOLOGY SERVICE REPORT URGENCY

Change to Attribute: Changed Description, status to Retired, Name

- Changed Description
- Retired RADIOLOGY SERVICE REPORT URGENCY
- Changed Name from Data_Dictionary.Attributes.R.RADIOLOGY_SERVICE_REPORT_URGENCY to Retired.Data_Dictionary.Attributes.R.RADIOLOGY_SERVICE_REPORT_URGENCY

REASON ADMINISTERED (RETIRED)_ renamed from REASON ADMINISTERED

Change to Attribute: Changed Description, status to Retired, Name

~~This describes the reason for administering epidural, caudal or spinal anaesthetics.~~ **This item has been retired from the NHS Data Model and Dictionary.**

~~**Classification:** The last live version of this item is available in the February 2014 release of the NHS Data Model and Dictionary.~~

- a. For pain relief.
- b. As an anaesthetic for an operative procedure.

~~Access to this version can be obtained by emailing information.standards@hscic.gov.uk with "NHS Data Model and Dictionary - Archive Request" in the email subject line.~~

REASON ADMINISTERED (RETIRED)_ renamed from REASON ADMINISTERED

Change to Attribute: Changed Description, status to Retired, Name

- Changed Description
- Retired REASON ADMINISTERED
- Changed Name from Data_Dictionary.Attributes.R.Radiot.REASON_ADMINISTERED to Retired.Data_Dictionary.Attributes.R.REASON_ADMINISTERED

REASON FOR NO START OR COMPLETION (RETIRED)_ renamed from REASON FOR NO START OR COMPLETION

Change to Attribute: Changed Description, status to Retired, Name

~~A reason for a [PATIENT](#) not starting or not completing an immunisation course.~~ **This item has been retired from**

the NHS Data Model and Dictionary.

~~Classification:~~ The last live version of this item is available in the February 2014 release of the NHS Data Model and Dictionary.

- a: Course considered unnecessary
- b: Contra-indication to administration of course
- c: Refusal to start or complete course
- d: Adverse reaction to a dose
- e: Contact lost because individual moved
- f: Contact lost for reason other than individual moved

Access to this version can be obtained by emailing information.standards@hscic.gov.uk with "NHS Data Model and Dictionary - Archive Request" in the email subject line.

REASON FOR NO START OR COMPLETION (RETIRED)_ renamed from REASON FOR NO START OR COMPLETION

Change to Attribute: Changed Description, status to Retired, Name

- Changed Description
- Retired REASON FOR NO START OR COMPLETION
- Changed Name from Data_Dictionary.Attributes.R.Radiot.REASON_FOR_NO_START_OR_COMPLETION to Retired.Data_Dictionary.Attributes.R.REASON_FOR_NO_START_OR_COMPLETION

REFERRAL DELAY NUMBER (RETIRED)_ renamed from REFERRAL DELAY NUMBER

Change to Attribute: Changed Description, status to Retired, Name

~~A number allocated to provide a unique identifier for each [Cancer Care Spell Delay](#).~~ This item has been retired from the NHS Data Model and Dictionary.

The last live version of this item is available in the February 2014 release of the NHS Data Model and Dictionary.

Access to this version can be obtained by emailing information.standards@hscic.gov.uk with "NHS Data Model and Dictionary - Archive Request" in the email subject line.

REFERRAL DELAY NUMBER (RETIRED)_ renamed from REFERRAL DELAY NUMBER

Change to Attribute: Changed Description, status to Retired, Name

- Changed Description
- Retired REFERRAL DELAY NUMBER
- Changed Name from Data_Dictionary.Attributes.R.Red.REFERRAL_DELAY_NUMBER to Retired.Data_Dictionary.Attributes.R.REFERRAL_DELAY_NUMBER

REFERRAL DELAY TYPE (RETIRED)_ renamed from REFERRAL DELAY TYPE

Change to Attribute: Changed Description, status to Retired, Name

~~The type of delay to a [REFERRAL REQUEST](#).~~ This item has been retired from the NHS Data Model and Dictionary.

~~National Codes:~~ The last live version of this item is available in the February 2014 release of the NHS Data Model and Dictionary.

01 ~~Cancer Care Spell Delay~~

Access to this version can be obtained by emailing information.standards@hscic.gov.uk with "NHS Data Model and Dictionary - Archive Request" in the email subject line.

REFERRAL DELAY TYPE (RETIRED)_ renamed from REFERRAL DELAY TYPE

Change to Attribute: Changed Description, status to Retired, Name

- Changed Description
- Retired REFERRAL DELAY TYPE
- Changed Name from Data_Dictionary.Attributes.R.Red.REFERRAL_DELAY_TYPE to Retired.Data_Dictionary.Attributes.R.REFERRAL_DELAY_TYPE

REGISTER REGISTRATION TYPE CODE (RETIRED)___ renamed from REGISTER REGISTRATION TYPE CODE

Change to Attribute: Changed Description, status to Retired, Name

~~A classification which identifies the type of registration of a REGISTER.~~ This item has been retired from the NHS Data Model and Dictionary.

~~National Codes:~~ The last live version of this item is available in the February 2014 release of the NHS Data Model and Dictionary.

01 ~~CARE PROFESSIONAL~~ Registration

02 ~~Other Professional~~ Registration

Access to this version can be obtained by emailing information.standards@hscic.gov.uk with "NHS Data Model and Dictionary - Archive Request" in the email subject line.

REGISTER REGISTRATION TYPE CODE (RETIRED)___ renamed from REGISTER REGISTRATION TYPE CODE

Change to Attribute: Changed Description, status to Retired, Name

- Changed Description
- Retired REGISTER REGISTRATION TYPE CODE
- Changed Name from Data_Dictionary.Attributes.R.Red.REGISTER_REGISTRATION_TYPE_CODE to Retired.Data_Dictionary.Attributes.R.REGISTER_REGISTRATION_TYPE_CODE

REQUEST OR INVITATION (RETIRED)_ renamed from REQUEST OR INVITATION

Change to Attribute: Changed Description, status to Retired, Name

~~Identifies the whether this is an appointment request or invitation.~~ This item has been retired from the NHS Data Model and Dictionary.

~~National Codes:~~ The last live version of this item is available in the February 2014 release of the NHS Data Model and Dictionary.

- 01 Appointment Request
- 02 Invitation

Access to this version can be obtained by emailing information.standards@hscic.gov.uk with "NHS Data Model and Dictionary - Archive Request" in the email subject line.

REQUEST OR INVITATION (RETIRED)_ renamed from REQUEST OR INVITATION

Change to Attribute: Changed Description, status to Retired, Name

- Changed Description
- Retired REQUEST OR INVITATION
- Changed Name from Data_Dictionary.Attributes.R.Rep.REQUEST_OR_INVITATION to Retired.Data_Dictionary.Attributes.R.REQUEST_OR_INVITATION

REQUIRED OUTSIDE NORMAL WORKING HOURS (RETIRED)_ renamed from REQUIRED OUTSIDE NORMAL WORKING HOURS

Change to Attribute: Changed Description, status to Retired, Name

~~This indicates whether a [DIAGNOSTIC TEST REQUEST](#) is clinically required to be met out of normal working hours. The interpretation of normal working hours, and the allocation of border-line cases to this category, are matters for local management decision.~~ **This item has been retired from the NHS Data Model and Dictionary.**

The last live version of this item is available in the February 2014 release of the NHS Data Model and Dictionary.

Access to this version can be obtained by emailing information.standards@hscic.gov.uk with "NHS Data Model and Dictionary - Archive Request" in the email subject line.

REQUIRED OUTSIDE NORMAL WORKING HOURS (RETIRED)_ renamed from REQUIRED OUTSIDE NORMAL WORKING HOURS

Change to Attribute: Changed Description, status to Retired, Name

- Changed Description
- Retired REQUIRED OUTSIDE NORMAL WORKING HOURS
- Changed Name from Data_Dictionary.Attributes.R.Rep.REQUIRED_OUTSIDE_NORMAL_WORKING_HOURS to Retired.Data_Dictionary.Attributes.R.REQUIRED_OUTSIDE_NORMAL_WORKING_HOURS

ROLE END DATE (RETIRED)_ renamed from ROLE END DATE

Change to Attribute: Changed Description, status to Retired, Name

~~The date on which a [CARE PROFESSIONAL ROLE](#) ceases.~~ **This item has been retired from the NHS Data Model and Dictionary.**

The last live version of this item is available in the February 2014 release of the NHS Data Model and Dictionary.

Access to this version can be obtained by emailing information.standards@hscic.gov.uk with "NHS Data Model and Dictionary - Archive Request" in the email subject line.

ROLE END DATE (RETIRED)_ renamed from ROLE END DATE

Change to Attribute: Changed Description, status to Retired, Name

- Changed Description
 - Retired ROLE END DATE
 - Changed Name from Data_Dictionary.Attributes.R.Resp.ROLE_END_DATE to Retired.Data_Dictionary.Attributes.R.ROLE_END_DATE
-

ROLE START DATE (RETIRED)_ renamed from ROLE START DATE

Change to Attribute: Changed Description, status to Retired, Name

The date on which a [CARE PROFESSIONAL ROLE](#) commences. **This item has been retired from the NHS Data Model and Dictionary.**

The last live version of this item is available in the February 2014 release of the NHS Data Model and Dictionary.

Access to this version can be obtained by emailing information.standards@hscic.gov.uk with "NHS Data Model and Dictionary - Archive Request" in the email subject line.

ROLE START DATE (RETIRED)_ renamed from ROLE START DATE

Change to Attribute: Changed Description, status to Retired, Name

- Changed Description
 - Retired ROLE START DATE
 - Changed Name from Data_Dictionary.Attributes.R.Resp.ROLE_START_DATE to Retired.Data_Dictionary.Attributes.R.ROLE_START_DATE
-

ROUTINE OR EMERGENCY (RETIRED)_ renamed from ROUTINE OR EMERGENCY

Change to Attribute: Changed Description, status to Retired, Name

[ORGANISATIONS](#) may find it useful to classify [Theatre Case](#) as Routine or Emergency as follows. **This item has been retired from the NHS Data Model and Dictionary.**

Classification: **The last live version of this item is available in the February 2014 release of the NHS Data Model and Dictionary.**

- ~~Routine theatre cases: patients for whom arrangements have been made in advance. These cases may have been admitted to hospital either electively or as emergencies~~
- ~~Emergency theatre cases: patients whose visit to the OPERATING THEATRE was not foreseen but takes place as a result of illness or a complication requiring an urgent operation. These cases may have been admitted to hospital either electively or as emergencies and the operation may take place during or outside either type of scheduled session~~

Access to this version can be obtained by emailing information.standards@hscic.gov.uk with "NHS Data Model and Dictionary - Archive Request" in the email subject line.

ROUTINE OR EMERGENCY (RETIRED)_ renamed from ROUTINE OR EMERGENCY

Change to Attribute: Changed Description, status to Retired, Name

- Changed Description

- Retired ROUTINE OR EMERGENCY
- Changed Name from Data_Dictionary.Attributes.R.Resp.ROUTINE_OR_EMERGENCY to Retired.Data_Dictionary.Attributes.R.ROUTINE_OR_EMERGENCY

SHARED NEEDLE OR SYRINGE IN LAST 4 WEEKS (RETIRED)_ renamed from SHARED NEEDLE OR SYRINGE IN LAST 4 WEEKS

Change to Attribute: Changed Description, status to Retired, Name

~~An indication of whether injecting equipment was shared with another [Drug Misuser](#) during the last four weeks.~~ **This item has been retired from the NHS Data Model and Dictionary.**

~~*Classification:* The last live version of this item is available in the February 2014 release of the NHS Data Model and Dictionary.~~

- a. Yes
- b. No

Access to this version can be obtained by emailing information.standards@hscic.gov.uk with "NHS Data Model and Dictionary - Archive Request" in the email subject line.

SHARED NEEDLE OR SYRINGE IN LAST 4 WEEKS (RETIRED)_ renamed from SHARED NEEDLE OR SYRINGE IN LAST 4 WEEKS

Change to Attribute: Changed Description, status to Retired, Name

- Changed Description
- Retired SHARED NEEDLE OR SYRINGE IN LAST 4 WEEKS
- Changed Name from Data_Dictionary.Attributes.S.Ses.SHARED_NEEDLE_OR_SYRINGE_IN_LAST_4_WEEKS to Retired.Data_Dictionary.Attributes.S.SHARED_NEEDLE_OR_SYRINGE_IN_LAST_4_WEEKS

SUBSTANCE MISUSED DRUG PRESCRIBED (RETIRED)_ renamed from SUBSTANCE MISUSED DRUG PRESCRIBED

Change to Attribute: Changed Description, status to Retired, Name

~~An indication of whether or not a [SUBSTANCE MISUSED](#) is prescribed, or being used both with and without [PRESCRIPTION](#).~~ **This item has been retired from the NHS Data Model and Dictionary.**

~~*Classification:* The last live version of this item is available in the February 2014 release of the NHS Data Model and Dictionary.~~

- a. Prescribed
- b. Not prescribed
- c. Used both with and without [PRESCRIPTION](#)

Access to this version can be obtained by emailing information.standards@hscic.gov.uk with "NHS Data Model and Dictionary - Archive Request" in the email subject line.

SUBSTANCE MISUSED DRUG PRESCRIBED (RETIRED)_ renamed from SUBSTANCE MISUSED DRUG PRESCRIBED

Change to Attribute: Changed Description, status to Retired, Name

- Changed Description
- Retired SUBSTANCE MISUSED DRUG PRESCRIBED

- Changed Name from Data_Dictionary.Attributes.S.Stan.SUBSTANCE_MISUSED_DRUG_PRESCRIBED to Retired.Data_Dictionary.Attributes.S.SUBSTANCE_MISUSED_DRUG_PRESCRIBED

SUBSTANCE MISUSED FREQUENCY OF USE (RETIRED)_ renamed from SUBSTANCE MISUSED FREQUENCY OF USE

Change to Attribute: Changed Description, status to Retired, Name

A broad classification of the frequency of use of the [SUBSTANCE MISUSED](#). This item has been retired from the NHS Data Model and Dictionary.

Classification: The last live version of this item is available in the February 2014 release of the NHS Data Model and Dictionary.

- a: Daily
- b: Weekly
- c: Monthly
- d: Occasionally

Access to this version can be obtained by emailing information.standards@hscic.gov.uk with "NHS Data Model and Dictionary - Archive Request" in the email subject line.

SUBSTANCE MISUSED FREQUENCY OF USE (RETIRED)_ renamed from SUBSTANCE MISUSED FREQUENCY OF USE

Change to Attribute: Changed Description, status to Retired, Name

- Changed Description
- Retired SUBSTANCE MISUSED FREQUENCY OF USE
- Changed Name from Data_Dictionary.Attributes.S.Stan.SUBSTANCE_MISUSED_FREQUENCY_OF_USE to Retired.Data_Dictionary.Attributes.S.SUBSTANCE_MISUSED_FREQUENCY_OF_USE

CODE OF GP PRACTICE (REFERRING PRACTICE) (RETIRED)_ renamed from CODE OF GP PRACTICE (REFERRING PRACTICE)

Change to Data Element: Changed linked Attribute, Description, status to Retired, Name

Format/length:	an6
HES item:	
National Codes:	
ODS Default Codes:	V81997 – No Registered GP Practice
	V81998 – GP Practice Code not applicable
	V81999 – GP Practice Code not known

Notes:

[CODE OF GP PRACTICE \(REFERRING PRACTICE\)](#) is the same as [ORGANISATION CODE](#).

[CODE OF GP PRACTICE \(REFERRING PRACTICE\)](#) is the [ORGANISATION CODE](#) of the [GP Practice](#) from which the referral is made. This item has been retired from the NHS Data Model and Dictionary.

The last live version of this item is available in the February 2014 release of the NHS Data Model and Dictionary.

Access to this version can be obtained by emailing information.standards@hscic.gov.uk with "NHS Data Model and Dictionary - Archive Request" in the email subject line.

CODE OF GP PRACTICE (REFERRING PRACTICE) (RETIRED)_ renamed from CODE OF GP PRACTICE (REFERRING PRACTICE)

Change to Data Element: Changed linked Attribute, Description, status to Retired, Name

~~CODE OF GP PRACTICE (REFERRING PRACTICE)~~

~~Attribute:~~

~~ORGANISATION CODE~~

CODE OF GP PRACTICE (REFERRING PRACTICE) (RETIRED)_ renamed from CODE OF GP PRACTICE (REFERRING PRACTICE)

Change to Data Element: Changed linked Attribute, Description, status to Retired, Name

- null
- Changed Description
- Retired CODE OF GP PRACTICE (REFERRING PRACTICE)
- Changed Name from Data_Dictionary.Data_Field_Notes.C.Co.CODE_OF_GP_PRACTICE_(REFERRING_PRACTICE) to Retired.Data_Dictionary.Data_Field_Notes.C.CODE_OF_GP_PRACTICE_(REFERRING_PRACTICE)

PATIENT DIAGNOSIS ON PSYCHIATRIC CENSUS DATE (RETIRED)_ renamed from PATIENT DIAGNOSIS ON PSYCHIATRIC CENSUS DATE

Change to Data Element: Changed Description, status to Retired, Name

Format/Length:	an6 for ICD-10 (see ICD 10th Revision), an7 for Clinical Terms (The Read Codes)
HES Item:	GENDIAG
National Codes:	
Default Codes:	

~~Notes:~~

See [DIAGNOSTIC CODING](#). This item has been retired from the NHS Data Model and Dictionary.

The last live version of this item is available in the February 2014 release of the NHS Data Model and Dictionary.

Access to this version can be obtained by emailing information.standards@hscic.gov.uk with "NHS Data Model and Dictionary - Archive Request" in the email subject line.

PATIENT DIAGNOSIS ON PSYCHIATRIC CENSUS DATE (RETIRED)_ renamed from PATIENT DIAGNOSIS ON PSYCHIATRIC CENSUS DATE

Change to Data Element: Changed Description, status to Retired, Name

- Changed Description
- Retired PATIENT DIAGNOSIS ON PSYCHIATRIC CENSUS DATE
- Changed Name from Data_Dictionary.Data_Field_Notes.P.Pat.PATIENT_DIAGNOSIS_ON_PSYCHIATRIC_CENSUS_DATE to Retired.Data_Dictionary.Data_Field_Notes.P.PATIENT_DIAGNOSIS_ON_PSYCHIATRIC_CENSUS_DATE

For enquiries about this Change Request, please email information.standards@hscic.gov.uk